



User's Manual

Microwave Oven



MWF 2318 S

Microwave Oven

IMPORTANT SAFETY INSTRUCTIONS

When using electrical appliance basic safety precautions should be followed, including the following:

WARNING: To reduce the risk of burns, electric shock, fire, injury to persons or exposure to excessive microwave energy:

- 1.** Read all instructions before using the appliance.
- 2.** Use this appliance only for its intended use as described in this manual. Do not use corrosive chemicals or vapors in this appliance. This type of oven is specifically designed to heat, cook or dry food. It is not designed for industrial or laboratory use.
- 3.** Do not operate the oven when empty.
- 4.** Do not operate this appliance if it has a damaged cord or plug, if it is not working properly or if it has been damaged or dropped. If the supply cord is damaged, it must be replaced by the manufacturer or its service agent or a similarly qualified person in order to avoid a hazard.
- 5.** Warning: When the appliance is operated in the combination mode, children should only use the oven under adult supervision due to the temperatures generated.
- 6.** **WARNING:** Only allow children to use the oven without supervision when adequate instructions have been given so that the child is able to use the oven in a safe way and understands the hazards of improper use.
- 7.** To reduce the risk of fire in the oven cavity:
 - ✧ When heating food in plastic or paper container, keep an eye on the oven due to the possibility of ignition.
 - ✧ Remove wire twist-ties from paper or plastic bags before placing bag in oven.
 - ✧ If smoke is observed, switch off or unplug the appliance and keep the door closed in order to stifle any flames.
 - ✧ Do not use the cavity for storage purposes. Do not leave paper products, cooking utensils or food in the cavity when not in use.
- 8.** **WARNING:** Liquid or other food must not be heated in sealed containers since they are liable to explode.
- 9.** Microwave heating of beverage can result in delayed eruptive boiling, therefore care has to be taken when handle the container.
- 10.** Do not fry food in the oven. Hot oil can damage oven parts and utensils and even result in skin burns.
- 11.** Eggs in their shell and whole hard-boiled eggs should not be heated in microwave ovens since they may explode even after microwave heating has ended.
- 12.** Pierce foods with heavy skins such as potatoes, whole squashes, apples and chestnuts before cooking.
- 13.** The contents of feeding bottles and baby jars should be stirred or shaken and the temperature should be checked before serving in order to avoid burns.
- 14.** Cooking utensils may become hot because of heat transferred from the heated food. Potholders may be needed to handle the utensil.
- 15.** Utensils should be checked to ensure that they are suitable for use in microwave oven.
- 16.** **WARNING:** It is hazardous for anyone other than a trained person to carry out any service or repair operation which involves the removal of any cover which gives protection against exposure to microwave energy.
- 17.** This product is a Group 2 Class B ISM equipment. The definition of Group 2 which contains all ISM (Industrial, Scientific and Medical) equipment in which radio-frequency energy is intentionally generated and/or used in the form of electromagnetic radiation for the treatment of material, and spark erosion equipment. For Class B equipment is equipment suitable for use in domestic establishments and in establishments directly connected to a low voltage power supply network which supplies buildings used for domestic purpose.

SPECIFICATION

Power Consumption:	230V~50Hz, 1400W(Microwave)
	850W (Light-wave)
Rated Microwave Power Output:	900W
Operation Frequency:	2450MHz
Outside Dimensions:	310mm(H)×565mm(W)×367mm(D)
Oven Cavity Dimensions:	214mm(H)×332mm(W)×346mm(D)
Oven Capacity:	23Litres
Net Weight:	Approx.16.5kg

The above data may be confirmed or updated.

INSTALLATION

1. Make sure that all the packing materials are removed from the inside of the door.
2. **WARNING:** Check the oven for any damage, such as misaligned or bent door, damaged door seals and sealing surface, broken or loose door hinges and latches and dents inside the cavity or on the door. If there is any damage, do not operate the oven and contact qualified service personnel.
3. This microwave oven must be placed on a flat, stable surface to hold its weight and the heaviest food likely to be cooked in the oven.
4. Do not place the oven where heat, moisture, or high humidity are generated, or near combustible materials.
5. For correct operation, the oven must have sufficient airflow. Allow 20cm of space above the oven, 10cm at back and 5cm at both sides. Do not cover or block any openings on the appliance. Do not remove feet.
6. Do not operate the oven without glass tray, roller support, and shaft in their proper positions.
7. Make sure that the power supply cord is undamaged and does not run under the oven or over any hot or sharp surface.
8. The socket must be readily accessible so that it can be easily unplugged in an emergency.
9. Do not use the oven outdoors.

RADIO INTERFERENCE

Operation of the microwave oven can cause interference to your radio, TV, or similar equipment.

When there is interference, it may be reduced or eliminated by taking the following measures:

1. Clean door and sealing surface of the oven.
2. Reorient the receiving antenna of radio or television.
3. Relocate the microwave oven with respect to the receiver.
4. Move the microwave oven away from the receiver.
5. Plug the microwave oven into a different outlet so that microwave oven and receiver are on different branch circuits.

GROUNDING INSTRUCTIONS

This appliance must be grounded. This oven is equipped with a cord having a grounding wire with a grounding plug. It must be plugged into a wall receptacle that is properly installed and

grounded. In the event of an electrical short circuit, grounding reduces risk of electric shock by providing an escape wire for the electric current. It is recommended that a

separate circuit serving only the oven be provided. Using a high voltage is dangerous and may result in a fire or other accident causing oven damage.

WARNING Improper use of the grounding plug can result in a risk of electric shock.

Notes:

1. If you have any questions about the grounding or electrical instructions, consult a qualified electrician or service person.

2. Neither the manufacturer nor the dealer can accept any liability for damage to the oven or personal injury resulting from failure to observe the electrical connection procedures.

The wires in this cable main are colored in accordance with the following code:

Green and Yellow = EARTH

Blue = NEUTRAL

Brown = LIVE

MICROWAVE COOKING PRINCIPLES

1. Arrange food carefully. Place thickest areas towards outside of dish.
2. Watch cooking time. Cook for the shortest amount of time indicated and add more as needed. Food severely overcooked can smoke or ignite.
3. Cover foods while cooking. Covers prevent spattering and help foods to cook evenly.
4. Turn foods over once during microwaving to speed cooking of such foods as chicken and hamburgers. Large items like roasts must be turned over at least once.
5. Rearrange foods such as meatballs halfway through cooking both from top to bottom and from the center of the dish to the outside.

BEFORE YOU CALL FOR SERVICE

IF THE OVEN FAILS TO OPERATE

1. Check to ensure that the oven is plugged in securely. If it is not, remove the plug from the outlet, wait 10 seconds, and plug it in again securely.
2. Check for a blown circuit fuse or a tripped main circuit breaker. If these seem to be operating properly, test the outlet with another appliance.
3. Check to ensure that the control panel is programmed correctly and the timer is set.
4. Check to ensure that the door is securely closed engaging the door safety lock system. Otherwise, the microwave energy will not flow into the oven.

IF NONE OF THE ABOVE RECTIFIES THE SITUATION, THEN CONTACT A QUALIFIED TECHNICIAN. DO NOT TRY TO ADJUST OR REPAIR THE OVEN YOURSELF.

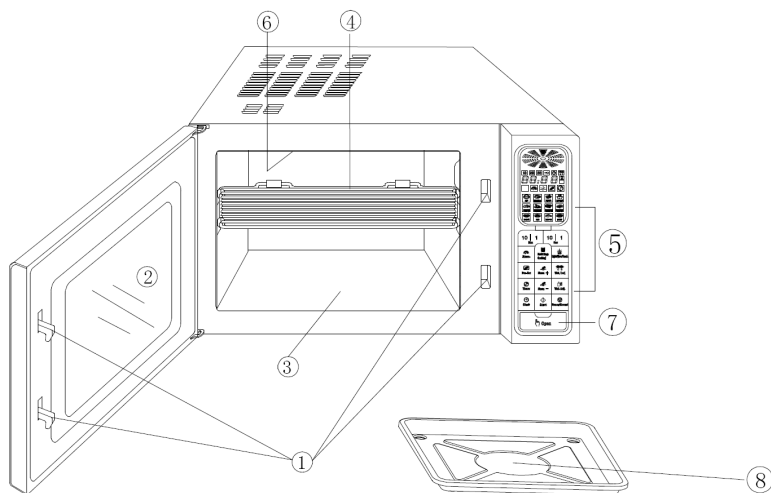
UTENSILS GUIDE

1. The ideal material for a microwave utensil is transparent to microwave, it allows energy to pass through the container and heat the food.
2. Microwave can not penetrate metal, so metal utensils or dishes with metallic trim should not be used.
3. Do not use recycled paper products when
4. Round /oval dishes rather than square/oblong ones are recommend, as food in corners tends to overcook.
5. Narrow strips of aluminum foil may be used to

prevent overcooking of exposed areas. But be careful don't use too much and keep a distance of 1 inch (2.54cm) between foil and cavity. The list below is a general guide to help you select the correct utensils.

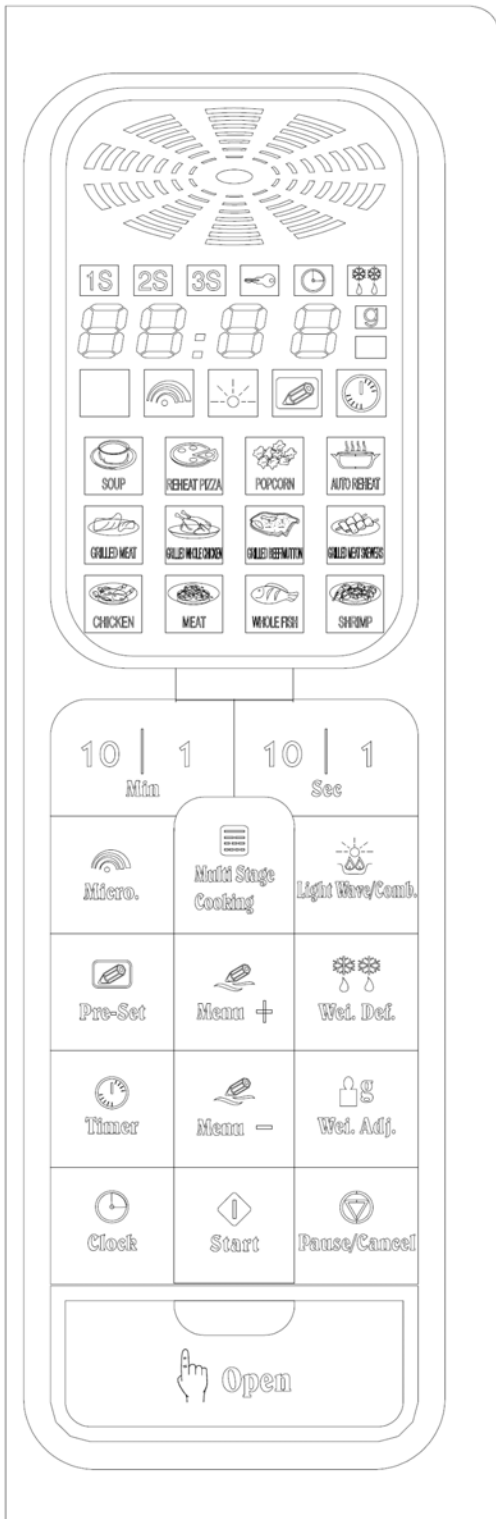
Cookware	Microwave	Light-wave	Combination Cooking
Heat-Resistant Glass	Yes	Yes	Yes
Non Heat-Resistant Glass	No	No	No
Heat-Resistant Ceramics	Yes	Yes	Yes
Microwave-Safe Plastic Dish	Yes	No	No
Kitchen Paper	Yes	No	No
Metal Tray	No	Yes	No
Metal Rack	No	Yes	No
Baking plate	NO	Yes	No
Aluminum Foil & Foil Containers	No	No	No
Oil collector	No	Yes	No

PART NAMES



1. Door Safety Lock System
2. Oven Window
3. Bottom Plate
4. Metal rack
5. Control panel
6. Grill heater
7. Door release button
8. Oil collector

CONTROL PANEL



- MENU ACTION SCREEN

Clock, cooking time, and action symbols are displayed.

- MICRO.

1. Used to set cooking power

- MIN/SEC BUTTONS

2. Press to set clock, cooking time.

- MULTI STAGE COOKING

3. Touch to set a multi-stage cooking program.

- TIMER

4. Used to set the oven timer.

- PRE-SET

5. Used to start the oven at a later time.

- LIGHT WAVE/COMB.

6. Touch to cook with light wave or to cook with combination power

- MENU±

7. Press to select a food from the quick cook settings.

- WEI.DEF.

8. Used to set weight or clock time

- WEI.ADJ.

9. Press to set the weight of food.

- CLOCK

10. Press to set the clock time.

- START

11. Touch to start a cooking program.

- PAUSE/CANCEL

12. Press to cancel setting or reset the oven before setting a cooking program.

13. Press once to temporarily stop cooking, or twice to cancel cooking altogether.

14. Hold down to set child lock.

HOW TO SET THE OVEN CONTROLS

Each time a button is pressed, a beep will sound to acknowledge the press.

SETTING THE CLOCK

To set the clock time, press and hold down the CLOCK button for 3 seconds, the clock indicator can be seen flickering on the screen.

FOR EXAMPLE: Suppose you want to set the oven clock time to 8:30.

Press and hold down CLOCK for 3 seconds.
Press MIN/SEC buttons to set the desired clock time.
Press CLCOK to confirm the setting.

MICROWAVE COOKING

Press MICRO. button a number of times to select a cooking power level, and then use the MIN/SEC buttons to set a desired cooking time. Select power level by pressing the MICRO. button.

PRESS MICRO.	COOKING POWER
Once	100%
Twice	80%
3 times	60%
4 times	40%
5 times	20%
6 times	0%

For example, suppose you want to cook for 20 minutes at 60% of microwave power.

Press MICRO. button 3 times.
Press MIN/SEC buttons to set the cooking time 20:00.
Press START button.

● LIGHT WAVE/COMB.

LIGHT WAVE/COMB. Cooking has three cooking mode: light wave, combination 1, and combination 2. You can press the LIGHT

WAVE/COMB. Button circularly to select one. The longest cooking time is 60 minutes.

- The light wave cooking is particularly useful for thin slices of meat, steaks, chops, kebabs, sausages of piece of chicken. It is also suitable for hot sandwiches and au gratin dishes.
- Combination 1: 30% time for microwave cooking, 70% for light wave cooking. Use for fish, potatoes or au gratin.
- Combination 2: 55% time for microwave cooking, 45% for light wave cooking. Use for puddings omelettes, baked potatoes and poultry.

FOR EXAMPLE: Suppose you want to set combination 1 cooking for 25 minutes

1. Press LIGHT WAVE/COMB. button twice
2. Press MIN/SEC buttons to set a desired cooking time.
3. Press START button.

WEIGHT DEFROST

The oven can be used to defrost food according to the weight you entered. The steps are as follows:

1. Press WEI.DEF. once.
2. Press WEI.ADJ. to select weight of food to be defrosted.
3. Press START.

PRE-SET

Pre-set function let to start oven later. First stet a cooking program, and then set a time delay.

The operation is as follows:

1. Set a cooking program.
2. Touch PRE-SET pad.
3. Use the number pads to enter the time when it should start.
4. Press START.

AUTO COOK

For automatic cooking, first rotate the MIN/SEC buttons until the display shows "1s" and menu indicator flash on the screen, all the menu items are lighted up brightly. Again the user is required to rotate the dial to select the item of cooking, the selected will be the one which flickers, and further more the display shows the default one of weights of the food to be cooked, now press start the cooking will begin.

For example, to cook 600g of chicken pieces,

1. Press MENU± to indicate menu chicken.
2. Press WEI. ADJ. a number of times to set weight of food.
3. Press START button.

Auto Cook Code/Menu

Please note: The result of Auto Cook depends on a number of factors such as the shape of food, and personal taste as to the doneness of food.

Code	Food/cooking mode	Notes
1	Soup	Microwave cooking
2	Reheat pizza	Refrigeration state about +5 °C
3	Popcorn	Used for a regular bag bought in the supermarket
4	Auto reheat	Refrigeration state about +5 °C
5	Grilled meat	Meat pieces placed on rack with oil collector beneath it; stop at half cooking time to turn over for uniform cooking.
6	Grilled whole chicken	Whole chicken in heat resistant glass or ceramic container placed on cavity bottom plate; stop at half cooking time to turn over for uniform cooking.
7	Grilled beef/mutton	Beef/mutton pieces (1~1.5cm) placed on rack with oil collector beneath, stop at half cooking time to turn over for uniform cooking.
8	Grilled meat skewers	Meat skewers placed on rack with oil collector beneath, stop at half cooking time to turn over for uniform cooking.
9	Chicken	Chicken pieces contained in heat resistant ceramics, add keep fresh film.
10	Meat	Meat contained in a heat resistant ceramic plate and cover with film.
11	Whole fish	Contained in a ceramic plate and cover with film.
12	Shrimp	Same as above.

MULTISTAGE COOKING

The system can be utilized for more than one stage cooking, one after another proceeds automatically after you have set the multistage cooking. The maximum stages that can be set are of three.

The display tube will show "1s", "2s", "3s" as the cooking proceeds. In between the stages, there would be a buzzer sound that can be heard as a reminder to remind you of it.

The following steps are desired if you are going to set a cooking program involving defrost, microwave, and light wave cooking.

1. Input a microwave defrost program with display screen showing "1S" light.
2. Press MULTI STAGE COOKING button with display screen showing "2S" light.
3. Input microwave-cooking program
4. Press MULTI STAGE COOKING button with display screen showing "3S" light
5. Input light wave cookingOP program
6. Touch START button

NOTE:

The respective lights will come on to indicate which stage the oven is operating in. After total time has elapsed, beep sound.

MINUTE TIMER

The timer works independently as a reminder and the time countdown ends in beeps sounding.

1. Press TIMER.
2. Use the numeric pads to enter the time to be counted down.
3. Press START.

CHILD LOCK

Use to prevent unsupervised operation of the oven by little children. The CHILD LOCK indicator will show up on display screen, and the oven can not be operated while the CHILD LOCK is set.

To set the CHILD LOCK: Press and hold the PAUSE/CANCEL button for 3 seconds, a beep sounds and LOCK indicator lights.

To cancel the CHILD LOCK: Press and hold the PAUSE/CANCEL button for 3 seconds until lock indicator on display goes off.

CLEANING AND CARE

1. Turn off the oven and remove the power plug from the wall socket before cleaning.
2. Keep the inside of the oven clean. When food splatters or spilled liquids adhere to oven walls, wipe with a damp cloth. Mild detergent may be used if the oven gets very dirty. Avoid the use of spray and other harsh cleaners as they may stain, streak or dull the door surface.
3. The outside surfaces should be cleaned with a damp cloth. To prevent damage to the operating parts inside the oven, water should not be allowed to seep into the ventilation openings.
4. Wipe the door and window on both sides, the door seals and adjacent parts frequently with a damp cloth to remove any spills or spatters. Do not use abrasive cleaner.
5. Do not allow the control panel to become wet. Clean with a soft, damp cloth. When cleaning the control panel, leave oven door open to prevent oven from accidentally turning on.
6. If steam accumulates inside or around the outside of the oven door, wipe with a soft cloth. This may occur when the microwave oven is operated under high humidity conditions. In such case, it is normal.
7. It is occasionally necessary to remove the glass tray for cleaning. Wash the tray in

warm sudsy water or in a dishwasher.

- 8.** The roller ring and oven floor should be cleaned regularly to avoid excessive noise. Simply wipe the bottom surface of the oven with mild detergent. The roller ring may be washed in mild sudsy water or dishwasher. When removing the roller ring from cavity floor for cleaning, be sure to replace in the proper position.
- 9.** Remove odors from your oven by combining a cup of water with the juice and skin of one lemon in a deep microwaveable bowl, microwave for 5 minutes. Wipe thoroughly and dry with a soft cloth.
- 10.** When it becomes necessary to replace the oven light, please consult a dealer to have it replaced.
- 11.** The oven should be cleaned regularly and any food deposits removed. Failure to maintain the oven in a clean condition could lead to deterioration of the surface that could adversely affect the life of the appliance and possibly result in a hazardous situation.
- 12.** Please do not dispose this appliance into the domestic rubbish bin, it should be disposed to the particular disposal center provided by the municipalities.

- ۷- حلقه غلتان و کف آون می‌باید به طور منظم برای پیش‌گیری از سروصدای اضافی هنگام عملکرد، تمیز شوند. حلقه غلتان را می‌توان با آب و مایع ظرف‌شویی یا در ماشین ظرف‌شویی شست. پس از تمیزکاری حلقه غلتان را در جای درست‌اش قرار دهید.
- ۸- برای زدودن بوهای ناخوشایند از محفظه پخت دستگاه، یک فنجان آب را با آب و پوست لیمو ترکیب کنید و در کاسه‌ای ویژه مایکروویو بریزید و کاسه را به مدت زمان ۵ دقیقه حرارت دهید. به دقت محفظه را تمیز کنید و با پارچه‌ای نرم آن را خشک نمایید.
- ۹- هنگامی که چراغ درون محفظه پخت دستگاه نیاز به تعویض دارد، با مرکز خدمات پس از فروش تماس بگیرید.
- ۱۰- آون را می‌باید به طور منظم تمیز کرد تا پسماند مواد غذایی از آن زدوده شود. نادیده گرفتن اصول نگهداری از دستگاه، ممکن است منجر به کاهش کیفیت سطوح شود و تأثیری نامطلوب بر عمر مفید دستگاه به جا می‌گذارد و خطرناک است.
- ۱۱- لطفاً این دستگاه را با زباله‌های خانگی دور نیندازید. این دستگاه را به مراکز ویژه جمع‌آوری و بازیافت زباله‌های الکتریکی تحویل دهید.
- ۱۲- در صورت نیاز به تعویض چراغ داخل محفظه دستگاه، با مرکز خدمات پس از فروش تماس بگیرید.

پخت چند مرحله‌ای

از این سیستم می‌توان برای پخت‌های چند مرحله‌ای استفاده کرد؛ پس از تنظیم عملکرد پخت چند مرحله‌ای، فرایندهای پخت به طور خودکار، یکی پس از دیگری فعال می‌شوند. حداکثر سه مرحله متمادی را می‌توان تنظیم کرد. نمایشگر به طور متناوب 1s, 2s, 3s با پیشرفت مراحل پخت، را نشان می‌دهد.

در فاصله میان مراحل پخت، علامتی صوتی به نشانه آغاز مرحله بعدی شنیده می‌شود. اگر می‌خواهید مراحل یخ‌زدایی پخت با میکروویو، پخت با موج تابشی را انجام دهید، به روش زیر عمل کنید:

- ۱- برنامه یخ‌زدایی میکروویو را وارد کنید، علامت 1s بر روی نمایشگر روشن می‌شود.
- ۲- برنامه پخت با میکروویو را وارد کنید، علامت 2s بر روی نمایشگر روشن می‌شود.
- ۳- برنامه پخت با موج تابشی را وارد کنید، علامت 3s بر روی نمایشگر روشن می‌شود.

نکته: چراغ‌های نشانگر مربوط به هر کدام از مراحل، هنگام فعال شدن آن روشن می‌شود. پس از پایان فرایند پخت، علامتی صوتی (بیپ) شنیده می‌شود.

تایمر دقیقه‌ای

تایمر به صورت مستقل همانند یادآوری‌کننده عمل می‌کند و شمارش معکوس زمان با علامتی صوتی پایان می‌یابد.

- ۱- تایمر را بزنید.
- ۲- دکمه‌های تماشای اعداد را بزنید تا زمان شمارش معکوس را انتخاب کنید.
- ۳- دکمه آغاز (START) را بزنید.

قفل ایمنی کودک

این ویژگی برای پیش‌گیری از استفاده کودکان از دستگاه به کار می‌رود. هنگامی که قفل ایمنی کودک تنظیم می‌شود، نشانگر قفل کودک (CHILD LOCK) بر روی نمایشگر ظاهر می‌شود. در این حالت دستگاه را نمی‌توان به کار انداخت.

برای تنظیم قفل ایمنی کودک:

دکمه مکث/لغو را فشار دهید و به مدت ۳ ثانیه نگه دارید؛ علامتی صوتی شنیده می‌شود و نشانگر قفل کودک بر روی صفحه ظاهر می‌شود.

برای لغو عملکرد قفل کودک: دکمه مکث/لغو را فشار دهید و به مدت ۳ ثانیه نگه دارید، تا نشانگر قفل بر روی نمایشگر محو شود.

تمیزکاری و مراقبت

۱- پیش از تمیزکاری، دستگاه را خاموش کنید و دوشاخه را از برق بکشید.

۲- فضای داخلی آن را تمیز نگه دارید. پاشیدگی مایعات و مواد غذایی را که به جداره حفره پخت آن چسبیده‌اند، با دستمالی نمدار تمیز کنید. اگر آن بسیار کثیف شده است، از مایع ظرفشویی نیز می‌توان استفاده کرد. از افشانه و پاک‌کننده‌های سایای دیگر استفاده نکنید؛ زیرا سبب لک‌شدن، خراشیده‌شدن یا از بین‌رفتن جلای سطح داخلی می‌شوند.

۳- بدنه دستگاه را می‌باید با پارچه‌ای نمدار تمیز کرد. برای پیش‌گیری از آسیب‌رساندن به قطعات داخلی دستگاه، نگذارید آب در منافذ تهویه دستگاه نفوذ کند.

۴- هر دو طرف در و شیشه آن را با پارچه‌ای تمیز کنید. برای زدودن هرگونه آلودگی و اثر (درزگیری) اطراف در دستگاه و قطعات کناری را با پارچه‌ای تمیز کنید.

۵- نگذارید صفحه کنترل دستگاه خیس شود. آن را با پارچه‌ای نرم و نمدار تمیز کنید. هنگام تمیزکاری صفحه کنترل، در دستگاه را باز نگذارید تا از روشن شدن اتفاقی دستگاه پیش‌گیری شود.

۶- اگر بخار در داخل یا در اطراف سطح داخلی در دستگاه جمع شده است، با پارچه‌ای نرم آن را بزدايید. این مسأله هنگامی اتفاق می‌افتد که دستگاه در شرایط آب و هوای بسیار مرطوب به کار انداخته شود. در این مورد، این مسأله عادی است.

پخت خودکار

برای پخت خودکار، ابتدا دکمه‌های دقیقه/ثانیه را بچرخانید تا نمایشگر علامت (1s) را نشان دهد. و نشانگر منو بر روی صفحه چشمک می‌زند. تمامی موارد منو روشن می‌شوند. دوباره می‌باید تنظیم‌گر را بچرخانید تا یکی از تنظیمات پخت انتخاب شود. عملکرد انتخاب‌شده بر روی نمایشگر چشمک می‌زند.

- علاوه بر این، نمایشگر، وزن از پیش تنظیم‌شده مواد غذایی را نشان می‌دهد. اکنون دکمه آغاز پخت را بزنید.
- برای مثال:
- ۱- دکمه منو +/- را بزنید تا عملکرد پخت ماهی نشان داده شود.
- ۲- دکمه وزن/تنظیم را چندین بار بزنید تا وزن غذا تنظیم شود.
- ۳- دکمه آغاز (START) را بزنید.

منوی پخت خودکار

لطفاً توجه کنید: نتیجه عملکرد پخت خودکار بستگی به عوامل گوناگونی مانند شکل غذا، ذایقه شخصی و بافت غذا دارد.

کد	غذا/حالت پخت	نکات
۱	سوپ	پخت با مایکروویو.
۲	گرم کردن پیتزا	حالت سرد یخچالی، بیش از ۵ درجه سانتی‌گراد.
۳	پاپ کورن	از کیسه‌های ویژه پخت آن استفاده کنید.
۴	بازگرم‌کنی خودکار	حالت سرد یخچالی، بیش از ۵ درجه سانتی‌گراد.
۵	گوشت کبابی	تکه‌های گوشت را بر روی پایه سیمی قرار دهید و سینی جمع‌آوری چکه روغن را در زیر آن قرار دهید. در میانه فرایند پخت، عملکرد دستگاه را متوقف کنید و غذا را برگردانید تا غذا یکدست بپزد.
۶	مرغ درسته بریانی	مرغ درسته را در ظرف ضد حرارت شیشه‌ای یا سرامیکی قرار دهید و آن را بر روی کف آن بگذارید. در میانه فرایند پخت، عملکرد دستگاه را متوقف کنید و غذا را برگردانید تا یکدست بپزد.
۷	گوشت گاو/گوسفند (کبابی)	قطعات گوشت گاو/گوسفند (۱ تا ۱/۵ سانتی‌متری) را بر روی پایه سیمی قرار دهید و سینی روغن را در زیر آن قرار دهید. در میانه فرایند پخت عملکرد دستگاه را متوقف کنید و غذا را برگردانید تا یکدست بپزد.
۸	گوشت کبابی	سیخ‌های گوشت را بر روی پایه سیمی قرار دهید و سینی روغن را در زیر آن قرار دهید. در میانه فرایند پخت عملکرد دستگاه را متوقف کنید و سیخ‌ها را برگردانید تا یکدست بپزد.
۹	مرغ	تکه‌های گوشت مرغ را در ظرف سرامیکی ضدحرارت قرار دهید و آن را با پوششی تمیز بپوشانید.
۱۰	گوشت قرمز	گوشت را در بشقابی سرامیکی و ضدحرارت قرار دهید و روی آن را بپوشانید.
۱۱	ماهی درسته	در بشقابی سرامیکی قرار دهید و آن را بپوشانید.
۱۲	میگو	همانند روش بالا عمل کنید.

روش تنظیم کنترلگرهای آون

هر بار که دکمه‌ای فشرده می‌شود، علامتی صوتی شنیده می‌شود.

تنظیم ساعت

برای تنظیم ساعت، دکمه ساعت را فشار دهید و به مدت ۳ ثانیه پایین نگه دارید. نشانگر ساعت در حال چشمک‌زدن بر روی نمایشگر دیده می‌شود.

برای مثال: اگر می‌خواهید زمان را بر روی ۸:۳۰ تنظیم کنید.

◀ دکمه ساعت را فشار دهید و به مدت ۳ ثانیه پایین نگه دارید.

◀ دکمه‌های دقیقه/ثانیه را برای تنظیم زمان دلخواه ساعت فشار دهید.

◀ دکمه ساعت را بزنید تا زمان تنظیم‌شده، تأیید شود.

پخت با مایکروویو

دکمه مایکرو (MICRO) را چندین بار بزنید تا میزان پخت انتخاب شود، و سپس با دکمه‌های دقیقه/ثانیه مدت زمان دلخواه پخت را تنظیم کنید.

میزان توان پخت را با زدن دکمه مایکرو (MICRO) انتخاب کنید.

توان پخت	تعداد دفعات فشردن دکمه توان
۱۰۰ درصد	یک بار
۸۰ درصد	دو بار
۶۰ درصد	۳ بار
۴۰ درصد	۴ بار
۲۰ درصد	۵ بار
صفر درصد	۶ بار

برای مثال: اگر می‌خواهید دستگاه را به مدت زمان ۲۰ دقیقه با ۶۰ درصد توان مایکروویو به کار اندازید.

دکمه مایکرو (MICRO) را سه بار بزنید.

با دکمه‌های دقیقه/ثانیه مدت زمان پخت ۲۰ دقیقه را تنظیم کنید.

دکمه آغاز (START) را بزنید.

پخت با موج تابشی / ترکیبی

پخت با موج تابشی/ترکیبی سه حالت پخت دارد: موج تابشی، ترکیبی ۱ و ترکیبی ۲. دکمه پخت با موج تابشی/ترکیبی را بزنید و یکی از این سه حالت را انتخاب کنید. طولانی‌ترین مدت زمان پخت ۶۰ دقیقه است.

◀ پخت با موج تابشی، به ویژه برای پخت قطعات نازک گوشت، استیک، کباب، سوسیس و کالباس و گوشت مرغ؛ همچنین برای ساندویچ‌های گرم و غذاهای گراتینه مناسب است.

◀ ترکیبی ۱: ۳۰ درصد زمان پخت با مایکروویو و ۷۰ درصد آن برای پخت تابشی برای پخت ماهی، سیب‌زمینی یا غذاهای گراتینه.

◀ ترکیبی ۲: ۵۵ درصد زمان پخت با مایکروویو و ۴۵ درصد برای پخت با موج تابشی. برای پخت پودینگ، املت، سیب‌زمینی و گوشت ماکیان.

مثال: برای پخت ترکیبی ۱ به مدت زمان ۲۵ دقیقه:

۱- دوباره دکمه موج تابشی/ترکیبی را بزنید.

۲- دکمه‌های دقیقه/ثانیه را بزنید تا مدت زمان پخت دلخواه تنظیم گردد.

۳- دکمه آغاز (START) را بزنید.

یخ‌زدایی بر اساس وزن

بر اساس وزن ماده غذایی که به دستگاه می‌دهید، دستگاه مواد را یخ‌زدایی می‌کند. به روش زیر عمل کنید:

۱- یک بار دکمه وزن/یخ‌زدایی را بزنید.

۲- دکمه وزن/تنظیم را بزنید. تا وزن غذایی را که می‌خواهید یخ‌زدایی کنید، تنظیم شود.

۳- دکمه آغاز (START) را بزنید.

عملکرد پیش-تنظیم

عملکرد پیش‌تنظیمی، دستگاه را با تأخیر به کار می‌اندازد. ابتدا برنامه پخت را تنظیم کنید. سپس زمان آغاز عملکرد را

تنظیم کنید. به روش زیر عمل کنید:

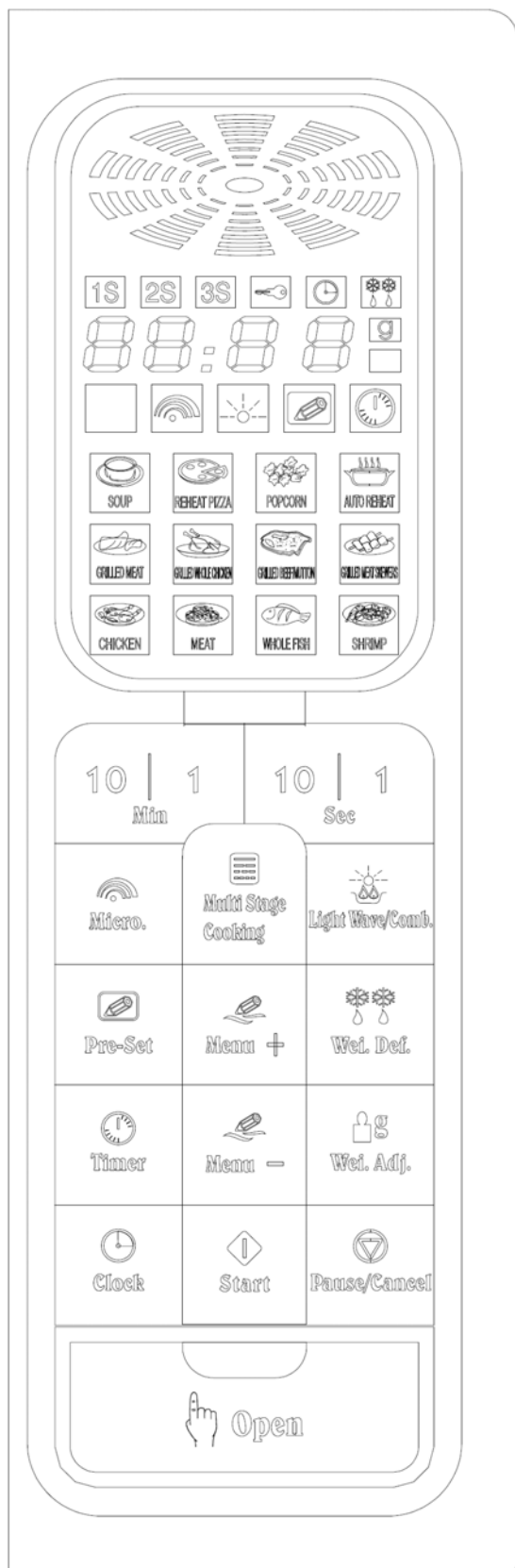
۱- برنامه پخت را تنظیم کنید.

۲- دکمه تماسی پیش-تنظیم را فشار دهید.

۳- با دکمه‌های عدد، زمان آغاز عملکرد را تنظیم کنید.

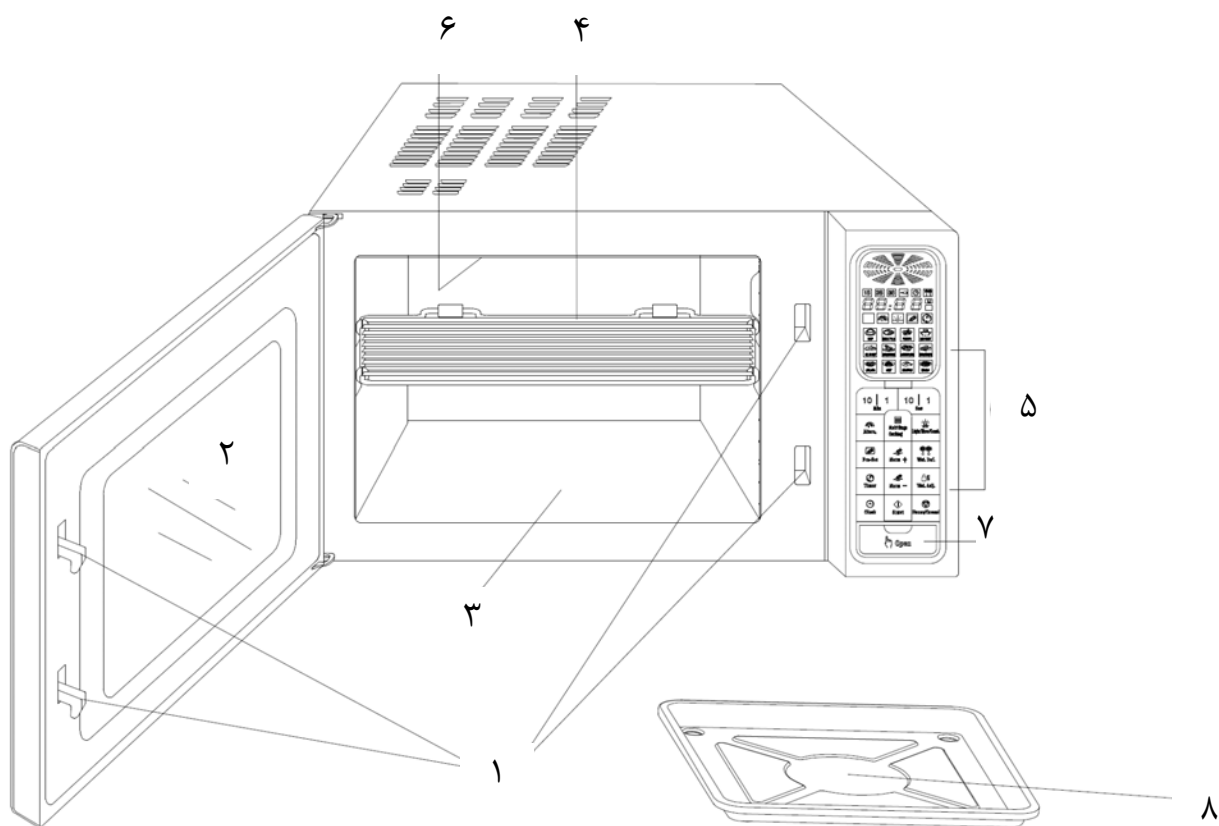
۴- دکمه آغاز (START) را بزنید.

صفحه کنترل



- صفحه منوی عملکرد
- ◀ ساعت، مدت زمان پخت و نشانه‌های عملکرد را نشان می‌دهد.
- مایکروویو (Microwave)
- ◀ برای تنظیم توان پخت
- دکمه‌های دقیقه/ثانیه (Min/Sec)
- ◀ برای تنظیم ساعت، مدت زمان پخت
- پخت چندمرحله‌ای (Multi stage cooking)
- ◀ تنظیم برنامه پخت چندمرحله‌ای
- تایمر (Timer)
- ◀ برای تنظیم تایمر آن
- پیش-تنظیم (Pre-set)
- ◀ برای راه‌اندازی دستگاه با تأخیر
- موج تابشی / ترکیبی
- ◀ برای پخت با موج تابشی یا با توان ترکیبی
- منو + / - (Menu)
- ◀ برای انتخاب غذا از تنظیمات سریع پخت
- وزن/بخ‌زدایی (Weight/ Defrost)
- ◀ برای تنظیم وزن غذا یا ساعت
- وزن، تنظیم (Weight/ Adjustment)
- ◀ برای تنظیم وزن غذا
- ساعت (Clock)
- ◀ برای تنظیم ساعت
- آغاز (START)
- ◀ برای آغاز عملکرد برنامه پخت
- مکث/لغو (Pause/ cancel)
- ◀ برای لغو تنظیمات یا باز-تنظیم آن پیش از تنظیم برنامه پخت
- ◀ یک بار فشار دهید تا پخت جاری را متوقف سازد، یا دوبار فشار دهید تا عملکرد پخت کاملاً لغو گردد.
- ◀ آن را پایین نگه دارید تا قفل ایمنی کودک تنظیم شود.

توصیف اجزا



- ۱) سیستم قفل ایمنی در
- ۲) پنجره اجاق
- ۳) صفحه زیرین
- ۴) پایه سیمی (فلزی)
- ۵) صفحه کنترل
- ۶) گرماور گریل
- ۷) دکمه بازکردن در
- ۸) سینی جمع‌آوری چکه روغن

- مواد غذایی را در ظرف‌هایی با دهانه تنگ مانند بطری نوشابه یا بطری روغن سالاد گرم نکنید؛ زیرا ممکن است بترکد.
- از دماسنج‌های رایج آب‌نباتی استفاده نکنید؛ دماسنج‌های ویژه میکروویو را به کار ببرید.
- ۱- لوازم میکروویو را تنها بر اساس دستورالعمل‌های سازنده به کار ببرید.
- ۲- از میکروویو برای سرخ کردن استفاده نکنید.
- ۳- لطفاً به یاد داشته باشید که میکروویو تنها مایع درون ظرف را داغ می‌کند نه خود ظرف را، بنابراین هر چند که درپوش ظرف در هنگام بیرون آوردن از اجاق داغ نیست؛ به خاطر داشته باشید که غذا/مایع درون اجاق، مانند روش پخت سنتی پس از برداشتن درپوش، مقداری بخار بیرون می‌دهد.
- ۴- همیشه دمای غذای پخته شده را امتحان کنید. به ویژه هنگامی که غذا/مایعات را برای استفاده کودکان آماده می‌کنید. توصیه می‌کنیم که غذا/مایعات را بلافاصله پس از بیرون آوردن از اجاق، مصرف نکنید. صبر کنید تا خنک شوند؛ ظرف را تکان دهید تا دمای مواد یکنواخت (همسان) شود.
- ۵- غذاهایی که دارای ترکیبات آب و روغن هستند مانند خمیرمایه‌ها، می‌باید به مدت ۳۰ تا ۶۰ ثانیه پس از خاموش شدن آن، در آن بمانند. این کار باعث می‌شود که ترکیب ته‌نشین شود و از جوشیدن

برای انتخاب ظرف مناسب میکروویو جدول زیر را ببینید:

ظرف	مایکروویو	موج تابشی	پخت ترکیبی
شیشه‌ای ضد حرارت	بله	بله	بله
شیشه‌ای معمولی	خیر	خیر	خیر
سرامیکی ضد حرارت	بله	بله	بله
بشقاب پلاستیکی ویژه میکروویو	بله	خیر	خیر
پوشش کاغذی آشپزخانه	بله	خیر	خیر
سینی فلزی	خیر	بله	خیر
پایه سیمی (فلزی)	خیر	بله	خیر
صفحه پخت	خیر	بله	خیر
فویل آلومینیومی و ظروف فویلی	خیر	خیر	خیر
سینی جمع‌آوری روغن	خیر	بله	خیر

- غذا/مایعات، هنگامی که مواد غذایی به آن اضافه می‌شود، پیش‌گیری می‌کند.
- ۶- هنگام آماده‌کردن/پختن غذا/مایعات، به خاطر داشته باشید که دمای برخی از مواد غذایی مانند کیک، مربا و گوشت چرخ‌کرده، به سرعت افزایش می‌یابد. هنگام پختن یا گرم کردن غذاهای حاوی چربی یا قند فراوان، از ظروف پلاستیکی استفاده نکنید.
- ۷- لوازم ویژه پخت، ممکن است بر اثر حرارت مواد غذایی، داغ شوند. بنابراین پوشاندن در و دستگیره ظروف با پوشش پلاستیکی ضروری است. برای جابه‌جا کردن ظروف از دستکش استفاده کنید.
- ۸- برای کاستن از خطر آتش‌سوزی در محفظه اجاق:
 - الف) غذا را بیش از اندازه نپزید. هنگامی که کاغذ، پلاستیک یا مواد سوختنی دیگر را در میکروویو می‌گذارید، برای آسان‌شدن عمل پخت، کاملاً مراقب باشید.
 - ب) پیش از قراردادن کیسه‌ها در اجاق، روبان‌های سیمی آنها را جدا کنید.
 - ج) اگر احتمال آتش‌گرفتگی مواد درون اجاق هست، در اجاق را بسته نگه دارید، دستگاه را با کشیدن دوشاخه آن از پریز برق خاموش کنید یا برق را از کنتور یا صفحه مدارشکن، قطع کنید.

۲- اگر دکمه روشن/خاموش اجاق کار نمی‌کند:

(الف) ببینید که تایمر تنظیم شده است یا خیر.

(ب) از بسته‌شدن کامل در دستگاه و چفت‌شدن زبانه‌های ایمنی در مطمئن شوید.

در غیر این صورت، انرژی میکروویو در اجاق جریان پیدا نمی‌کند. اگر هیچ‌کدام از موارد بالا مشکل را برطرف نکردند، با مرکز مجاز خدمات پس‌ازفروش تماس بگیرید.

نکته: این دستگاه برای گرم کردن غذاها و نوشیدنی‌ها در منزل با انرژی الکترومغناطیسی طراحی شده است و تنها باید در محیط‌های بسته از آن استفاده کرد.

تداخل امواج رادیویی:

مایکروویو شما ممکن است سبب مختل‌شدن عملکرد رادیو، تلویزیون یا وسایل مشابه آنها شود. در این حالت، تداخل امواج را می‌توان به روش‌های زیر برطرف کرد یا کاهش داد:

(الف) در دستگاه و سطح درزگیر آن را تمیز کنید.

(ب) رادیو و تلویزیون و ... را تا حد امکان از مایکروویو دور نگه دارید.

(ج) از آنتن‌های مناسب برای رادیو، تلویزیون و ... استفاده کنید تا توان دریافت امواج آنها افزایش یابد.

نصب

۱- از جداکردن مواد بسته‌بندی رویه داخلی در دستگاه مطمئن شوید.

۲- پس از بازکردن بسته‌بندی دستگاه، عیب و نقص‌های ظاهری زیر را در آن بررسی کنید:

- تراژنبودن در
 - آسیب دیدگی در
 - فرورفتگی یا سوراخ در شیشه در و صفحه کنترل
 - سوراخ در دیواره داخلی اجاق
- در صورت مشاهده هر یک از موارد بالا، از دستگاه استفاده نکنید.

۳- وزن اجاق مایکروویو ۱۶/۵ کیلوگرم است و می‌باید آن را بر روی سطح صاف و پایدار گذاشت که تحمل این وزن را داشته باشد.

۴- اجاق را باید از منابع گرمایشی و بخار دور نگه داشت.

۵- از قراردادن اشیا بر روی اجاق بپرهیزید.

۶- از درآوردن محور صفحه‌گردان دستگاه بپرهیزید.

۷- مانند هر دستگاه برقی دیگر، بر کار کودکان با دستگاه، نظارت کنید.

نکات ایمنی برای استفاده عمومی از دستگاه

مانند هر وسیله دیگر، در زیر اصول و قواعدی بنیادین و نکات ایمنی‌ای آمده تا به صورت بهینه از دستگاه استفاده شود.

۱- هنگام کار با دستگاه، همیشه سینی شیشه‌ای، وردنه، کوپلینگ و دست‌کش مخصوص دم‌دست داشته باشید.

۲- از دستگاه تنها برای آماده‌کردن غذا استفاده کنید و از خشک‌کردن لباس، کاغذ یا هرگونه مواد غیرخوراکی و استریلیزه‌کردن با دستگاه پرهیز کنید.

۳- اجاق خالی را روشن نکنید، این کار به دستگاه آسیب می‌رساند.

۴- از محافظه‌آون به جای انباری استفاده نکنید (برای نگاه‌داری کاغذ و کتاب آشپزی و ...).

۵- هنگام پخت غذاهای دارای غشا و پوسته، مانند زرده تخم‌مرغ، سیب‌زمینی، جگر مرغ، و ... ابتدا با چنگال چندین بار آنها را سوراخ کنید.

۶- از فرو بردن اشیا در شیارهای روی بدنه دستگاه بپرهیزید.

۷- هیچ‌گاه قسمت‌های مختلف دستگاه مانند پایه‌ها، پیچ‌ها و بست‌ها را جدا نکنید.

۸- هیچ‌گاه مستقیماً غذا را برای پخت بر روی صفحه‌گردان شیشه‌ای قرار ندهید؛ پیش از گذاشتن غذا در آون، آن را در ظرف مناسبی قرار دهید.

۹- **مهم: وسایل پخت‌و‌پزی که نباید در اجاق مایکروویو استفاده شوند.**

- از بشقاب‌ها و تابه‌هایی با دستگیره فلزی استفاده نکنید.

- از اشیایی که آرایه‌های فلزی دارند، استفاده نکنید.

- از کیسه‌های پلاستیکی که مفتول مسی دارند، استفاده نکنید.

- از بشقاب‌های ملامین استفاده نکنید؛ زیرا ماده‌ای در آنهاست که سبب جذب انرژی مایکروویو می‌شود و باعث ترک‌برداشتن و سیاه‌شدن بشقاب و کندشدن روند پخت می‌شود.

- از لوازم سفره (قاشق، چنگال، ...) "سنتورا" استفاده نکنید. استفاده از ظروف لعابی در اجاق مایکروویو توصیه نمی‌شود. از فنجان‌های دسته‌دار "گورلی" نیز نباید استفاده کرد.

دستورالعمل‌های مهم ایمنی

این دستورالعمل‌ها را به دقت بخوانید و برای مراجعات بعدی نگه دارید.

هشدار

- هنگامی که دستگاه در حالت ترکیبی کار می‌کند، به دلیل گرمای تولیدشده توسط دستگاه، کودکان تنها با نظارت شما می‌باید با دستگاه کار کنند.
- اگر در دستگاه یا واشر آن آسیب دیده بود؛ از آون استفاده نکنید و برای تعمیر به فرد ماهری تحویل دهید.
- هرگونه تعمیر یا کارهای خدماتی که مستلزم برداشتن پوشش دستگاه است، به دست افراد بدون صلاحیت، خطرناک است. این پوشش مانع از هدررفتن انرژی میکروویو می‌شود.
- مایعات و غذاهای دیگر را نباید در ظرف‌های دربسته گرم کرد؛ ممکن است بترکند.
- تنها هنگامی به کودکان اجازه دهید بدون نظارت شما از دستگاه استفاده کنند که دستورالعمل‌های لازم را به آنان آموخته باشید؛ به گونه‌ای که بتوانند به شیوه‌ای ایمن از دستگاه استفاده کنند و خطرهای استفاده نادرست را فهمیده باشند.
- هنگام کار با دستگاه، تنها از ادواتی استفاده کنید که برای میکروویو در نظر گرفته شده‌اند.
- هنگامی که غذایی را در ظرفی پلاستیکی یا کاغذی گرم می‌کنید، مراقب دستگاه باشید؛ چون امکان آتش‌گرفتن ظرف وجود دارد.
- هنگام مشاهده دود، دستگاه را خاموش کنید یا دوشاخه را از برق بکشید و در دستگاه را بسته نگه دارید تا شعله‌ها فرو نشینند.
- گرم کردن نوشیدنی‌ها در میکروویو منجر به پاشیدن محتویات داغ ظرف می‌شود. بنابراین، هنگام جابه‌جایی ظرف‌ها مراقب باشید.
- محتویات شیشه شیر بچه یا ظرف‌های مخصوص این کار را باید هم بزنیید و دمای مواد را پیش از خوراندن به بچه بررسی کنید تا از سوختگی پیشگیری شود.

- تخم‌مرغ نپخته و تخم‌مرغ‌های درسته آب‌پز شده را در اجاق میکروویو گرم نکنید، ممکن است حتی پس از پایان زمان گرم‌کردن بترکند.
- اجاق را می‌باید به طور منظم تمیز کنید و رسوبات آن را بزدايید.
- کوتاهی در تمیزنگه‌داشتن اجاق، منجر به افت کیفیت سطوح دستگاه می‌شود و از عمر مفید دستگاه می‌کاهد و خطرناک است.
- اگر سیم برق دستگاه آسیب دیده بود، برای پیشگیری از خطر، از سازنده، کارکنان مرکز خدمات یا تعمیرکاری ماهر بخواهید تا آن را برای‌تان عوض کند.
- هنگام کار با دستگاه، سطوحی که در دسترس‌اند، داغ می‌شوند.

مشخصات

- توان مصرفی: ۲۳۰ ولت - ۵۰ هرتز / ۱۴۰۰ وات (میکروویو): ۸۵۰ وات (موج تابشی)
- توان خروجی میکروویو: ۹۰۰ وات
- فرکانس عملکرد: ۲۴۵۰ مگا هرتز
- ابعاد بیرونی (طول، عرض، ارتفاع): ۳۶۷×۵۶۵×۳۱۰ میلی‌متر
- ابعاد درونی اجاق (طول، عرض، ارتفاع): ۳۴۶×۳۳۲×۲۱۴ میلی‌متر
- گنجایش اجاق: ۲۳ لیتر
- وزن تقریبی: ۱۶/۵ کیلوگرم
- پیش از آن که با تعمیرکار تماس بگیرید:
- ۱- اگر اجاق اصلاً کار نمی‌کند، نمایشگر خاموش است یا در هنگام کار، خاموش می‌شود:
- الف) از اتصال کامل دوشاخه دستگاه به پریز برق مطمئن شوید. اگر درست وصل نشده است: دوشاخه را بکشید و ۱۰ ثانیه صبر کنید و دوباره دوشاخه را به برق بزنیید.
- ب) فیوز برق ساختمان یا مدارشکن اصلی را بررسی کنید. اگر این موارد عیب و نقصی ندارند، برای اطمینان پریز برق را با دستگاه دیگری امتحان کنید.

Feller®

دفترچه‌ی راهنما

مایکروویو



MWF 2318 S

Microwave Oven