

Germany
Feller



MW 280 GW

**Microwave
Oven**

Before operating this unit, Please read the instruction manual carefully.
This product is for household use only.

Precautions To Avoid Possible Exposure To Excessive Microwave Energy

- a) Do not attempt to operate this oven with the door open since this can result in harmful exposure to microwave energy. It is important not to break or tamper with the safety interlocks.
- b) Do not place any object between the oven front face and the door or allow soil or cleaner residue to accumulate on sealing surfaces.



c) **WARNING:** If the door or door seals are damaged, the oven must not be operated until it has been repaired by Feller.

ADDENDUM

If the apparatus is not maintained in a good state of cleanliness, its surface could be degraded and affect the lifespan of the apparatus and lead to a dangerous situation.

SPECIFICATIONS

Rated Voltage: 220-240 V ~ / 50-60 Hz
 Rated Input Power (Microwave): 1250 W
 Rated Output Power (Microwave): 800 W
 Rated Input Power (Grill): 1000 W
 Oven Capacity: 20 L
 Turntable Diameter: 245 mm
 External Dimensions (LxWxH): 461×375×280 mm
 Net Weight: Approx. 12.46 Kg



IMPORTANT SAFETY INSTRUCTIONS

WARNING

To reduce the risk of fire, electric shock, injury to persons or exposure to excessive microwave oven energy when using your appliance, follow basic precautions, including the following:



- 1. Warning:** Liquids and other foods must not be heated in sealed containers since they are liable to explode.
- 2. Warning:** It is hazardous for anyone other than after sale service centre of Feller to remove a cover which gives protection against exposure to microwave energy.
- 3. Warning:** Only allow children to use the oven without supervision when adequate instructions have been given so that the child is able to use the oven in a safe way and understand the hazards of improper use.
- 4. Warning:** When the appliance is operated in the combination mode, children should only use the oven under adult supervision due to the temperatures generated. (only for grill series)

- 5.** Only use utensils suitable for use in microwave ovens.
- 6.** The oven should be cleaned regularly and any food deposits should be removed.
- 7.** Read and follow the specific: "PRECAUTIONS TO AVOID POSSIBLE EXPOSURE TO EXCESSIVE MICROWAVE ENERGY".
- 8.** When heating food in plastic or paper containers, keep an eye on the oven due to the possibility of ignition.
- 9.** If smoke is observed, switch off or unplug the appliance and keep the door closed in order to stifle any flames.
- 10.** Do not overcook food.
- 11.** Do not use the oven cavity for storage purposes. Do not store items, such as bread, cookies, etc. inside the oven.
- 12.** Remove wire twist-ties and metal handles from paper or plastic containers/bags before placing them in the oven.
- 13.** Install or locate this oven only in accordance with the installation instructions provided.
- 14.** Eggs in the shell and whole hard-boiled eggs should not be heated in microwave ovens since they may explode, even after microwave heating

has ended.

15. Use this appliance only for its intended uses as described in manual. Do not use corrosive chemicals or vapors in this appliance. This oven is especially designed to heat. It is not designed for industrial or laboratory use.

16. If the supply cord is damaged, it must be replaced by after sale service centre of Feller in order to avoid a hazard.

17. Do not store or use this appliance outdoors.

18. Do not use this oven near water, in a wet basement or near a swimming pool.

19. The temperature of accessible surfaces may be high when the appliance is operating. The surfaces are liable to get hot during use. Keep cord away from heated surface, and do not cover any events on the oven.

20. Do not let cord hang over edge of table or counter.

21. Failure to maintain the oven in a clean condition could lead to deterioration of the surface that could adversely affect the life of the appliance and possibly result in a hazardous situation.

22. The contents of feeding bottles and baby food jars shall be stirred or shaken and the temperature checked before consumption, in order to avoid burns.

23. Microwave heating of beverages can result in delayed eruptive boiling, therefore take care when handling the container.

24. The appliance is not intended for use by persons (including children) with reduced physical, sensory or mental capabilities, or lack of experience and knowledge, unless they have been given supervision or instruction concerning use of the appliance by a person responsible for their safety.

25. Children should be supervised to ensure that they do not play with the appliance.

26. The microwave oven shall not be placed in a cabinet unless it has been tested in a cabinet.

27. The appliances are not intended to be operated by means of an external timer or separate remote-control system.

28. WARNING: Ensure that the appliance is switched off before replacing the lamp to avoid the possibility of electric shock.



29. Accessible parts may become hot during use. Children should be kept away. Steam cleaner is not to be used.

30. Surface of a storage drawer can get hot.

31. Do not use harsh abrasive cleaners or sharp metal scrapers to clean the oven door glass since they can scratch the surface, which may result in shattering of the glass.

32. During use the appliance becomes hot. Care should be taken to avoid touching heating elements inside the oven.

33. Only use the temperature probe recommended for this oven. (for ovens provided with a facility to use a temperature-sensing probe.)

34. The rear surface of appliance shall be placed against a wall.

TO REDUCE THE RISK OF INJURY TO PERSONS GROUNDING INSTALLATION

DANGER

Electric Shock Hazard

Touching some of the internal components can cause serious personal injury or death. Do not disassemble this appliance.



WARNING

Electric Shock Hazard: Improper use of the grounding can result in electric shock. Do not plug into an outlet until appliance is properly installed and grounded.

This appliance must be grounded. In the event of an electrical short circuit, grounding reduces the risk of electric shock by providing an escape wire for the electric current. This appliance is equipped with a cord having a grounding wire with a grounding plug. The plug must be plugged into an outlet that is properly installed and grounded. Consult after sale service centre of Feller if the grounding instructions are not completely understood or if doubt exists as to whether the appliance is properly grounded. If it is necessary to use an extension cord, use only a 3-wire extension cord.

1. A short power-supply cord is provided to reduce the risks resulting from becoming entangled in or tripping over a longer cord.

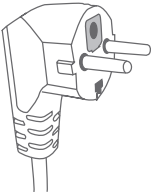
2. If a long cord set or extension cord is used:

a) The marked electrical rating of the cord set or extension cord should be at least as great as the electrical rating of the appliance.

b) The extension cord must be a grounding type 3-wire cord.

c) The long cord should be arranged so that it will not drape over the counter top or tabletop where it can be pulled on by children or tripped over unintentionally.

CLEANING



Two-round-pin plug

Be sure to unplug the appliance from the power supply.

1. Clean the inside of the oven after using with a slightly damp cloth.
2. Clean the accessories in the usual way in soapy water.
3. The door frame and seal and neighbouring parts must be cleaned carefully with a damp cloth when they are dirty.

UTENSILS



CAUTION: Personal Injury Hazard

It is hazardous for anyone other than after sale service centre of Feller to carry out any service or repair operation that involves the removal of a cover which gives protection against exposure to microwave energy.

See the instructions on “Materials you can use in microwave oven or to be avoided in microwave oven.” There may be certain non-metallic utensils that are not safe to use for microwaving. If in doubt, you can test the utensil in question following the procedure below.

Utensil Test:

1. Fill a microwave-safe container with 1 cup of cold water (250ml) along with the utensil in question.
2. Cook on maximum power for 1 minute.
3. Carefully feel the utensil. If the empty utensil is warm, do not use it for microwave cooking.
4. Do not exceed 1 minute cooking time.

MATERIALS YOU CAN USE IN MICROWAVE OVEN

Utensil	Remarks
Aluminum foil	Shielding only. Small smooth pieces can be used to cover thin parts of meat or poultry to prevent overcooking. Arcing can occur if foil is too close to oven walls. The foil should be at least 1 inch (2.5 cm) away from oven walls.
Browning dish	Follow Feller's instructions. The bottom of browning dish must be at least 3/16 inch (5mm) above the turntable. Incorrect usage may cause the turntable to break.
Dinnerware	Microwave-safe only. Follow Feller's instructions. Do not use cracked or chipped dishes.
Glass jar	Always remove lid. Use only to heat food until just warm. Most glass jars are not heat resistant and may break.
Glassware	Heat-resistant oven glassware only. Make sure there is no metallic trim. Do not use cracked or chipped dishes.
Oven cooking bags	Follow Feller's instructions. Do not close with metal tie. Make slits to allow steam to escape.
Paper plates & cups	Use for short-term cooking/warming only. Do not leave oven unattended while cooking.
Paper towel	Use to cover food for reheating and absorbing fat. Use with supervision for a short-term cooking only.
Parchment paper	Use as a cover to prevent splattering or a wrap for steaming.
Plastic	Microwave-safe only. Follow Feller's instructions. Should be labeled "Microwave Safe". Some plastic containers soften, as the food inside gets hot. "Boiling bags" and tightly closed plastic bags should be slit, pierced or vented as directed by package.
Plastic wrap	Microwave-safe only. Use to cover food during cooking to retain moisture. Do not allow plastic wrap to touch food.
Thermometer	Microwave-safe only (meat and candy thermometers).
Wax paper	Use as a cover to prevent splattering and retain moisture.

MATERIALS TO BE AVOIDED IN MICROWAVE OVEN

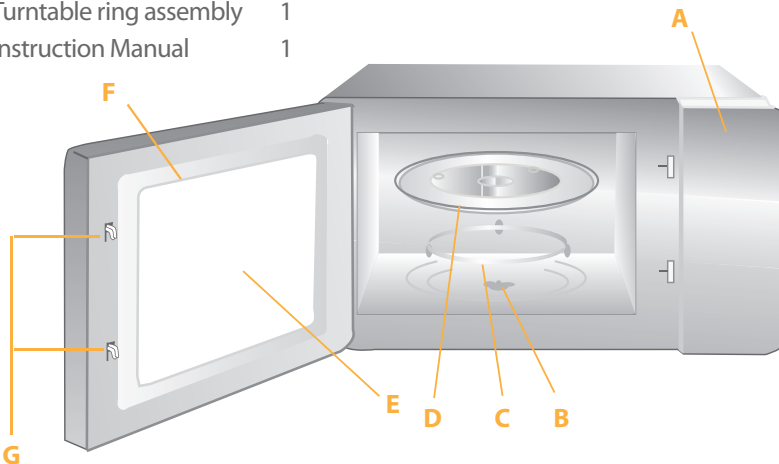
Utensil	Remarks
Aluminum tray	May cause arcing. Transfer food into microwave-safe dish.
Food carton with metal handle	May cause arcing. Transfer food into microwave-safe dish.
Metal or metal-trimmed utensils	Metal shields the food from microwave energy. Metal trim may cause arcing.
Metal twist ties	May cause arcing and could cause a fire in the oven.
Paper bags	May cause a fire in the oven.
Plastic foam	Plastic foam may melt or contaminate the liquid inside when exposed to high temperature.
Wood	Wood will dry out when used in the microwave oven and may split or crack.

SETTING UP YOUR OVEN

Names of Oven Parts and Accessories

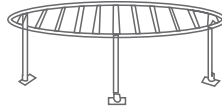
Remove the oven and all materials from the carton and oven cavity
Your oven comes with the following accessories:

- Enamel Tray 1
- Turntable ring assembly 1
- Instruction Manual 1



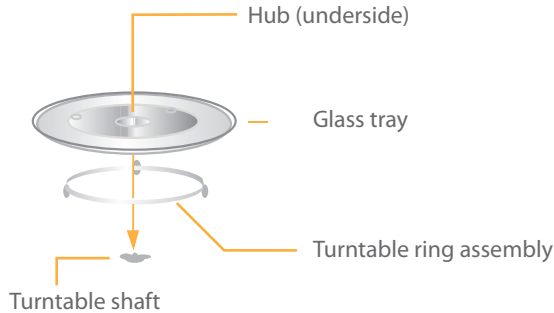
- A) Control panel
- B) Turntable shaft
- C) Turntable ring assembly
- D) Glass tray

- E) Observation window
- F) Door assembly
- G) Safety interlock system



Grill Rack(Only for Grill series)

TURNTABLE INSTALLATION



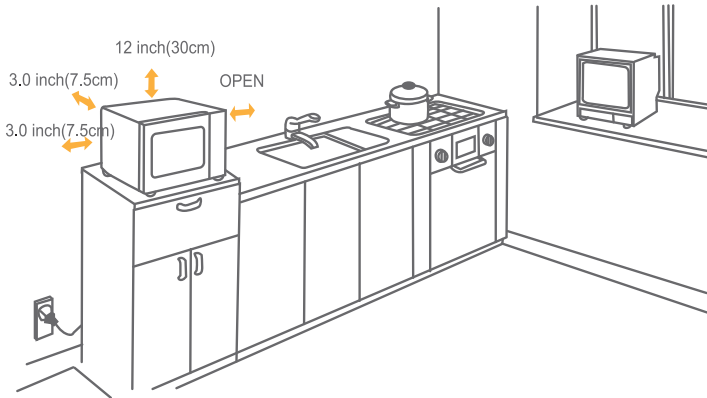
- a. Never place the enamel tray upside down. The enamel tray should never be restricted.
- b. Both enamel tray must always be used during cooking.
- c. All food and containers of food are always placed on the enamel tray for cooking. nearest authorized service center.
- d. If enamel tray cracks or breaks, contact the after sale service centre of Feller.

COUNTERTOP INSTALLATION

Remove all packing material and accessories.
Examine the oven for any damage such as dents or broken door. Do not install if oven is damaged.

Cabinet: Remove any protective film found on the microwave oven cabinet surface. Do not remove the light brown Mica cover that is attached to the oven cavity to protect the magnetron.

1. Select a level surface that provide enough open space for the intake and/or outlet vents.



A minimum clearance of 3.0 inches (7.5cm) is required between the oven and any adjacent walls. One side must be open.

- 1) Leave a minimum clearance of 12 inches (30cm) above the oven.
- 2) Do not remove the legs from the bottom of the oven.
- 3) Blocking the intake and/or outlet openings can damage the oven.
- 4) Place the oven as far away from radios and TV as possible.

Operation of microwave oven may cause interference to your radio or TV reception.

2. Plug your oven into a standard household outlet. Be sure the voltage and the frequency is the same as the voltage and the frequency on the rating label.

WARNING: Do not install oven over a range cooktop or other heat-producing appliance. If installed near or over a heat source, the oven could be damaged and the warranty would be void.



The accessible surface may be hot during operation.



OPERATION INSTRUCTION

1. Power Level

11 power levels are available.

10	9	8	7	6	5	4	3	2	1	0	Level
%100	%90	%80	%70	%60	%50	%40	%30	%20	%10	%0	Power
PL10	PL9	PL8	PL7	PL6	PL5	PL4	PL3	PL2	PL1	PL0	Display

2. Clock Setting

1. Press "CLOCK/TIMER" once, "00:00" will display.
2. Press the number keys and enter the current time. For example, time is 12:10 now, please press "1,2,1,0" in turn.
3. Press "CLOCK/TIMER" to finish clock setting. ":" will flash and the clock will be lighted.
4. If the numbers input are not within the range of 1:00--12:59, the setting will be invalid until valid numbers are input.



Note:

- 1) In the process of clock setting, if the "STOP/CANCEL" button is pressed or if there is no operation within 1 minute, the oven will go back to the former setting automatically.
- 2) If the clock need to be reset, please repeat step 1 to step 3.

3. Kitchen Timer

1. Press "CLOCK/TIMER" twice, LED will display 00:00, the first hour figure flash.
2. Press the number keys and enter the timer time.(the maximum cooking time is 99 minutes and 99 seconds)
3. Press "START/+30SEC." to confirm setting.
4. When the timer time arrives, the buzzer will ring 5 times.
If the clock be set (12-hour system), LED will display the current time.



Note:

1. The kitchen time is differ from 12-hour system,Kitchen Timer is a timer.
2. During kitchen timer, anny program cannot be set.

4. Microwave cook

1. Press "TIME COOK" once, LED will display "00:00".
2. Press number keys to input the cooking time; the maximum cooking time is 99 minutes and 99 seconds.
3. Press " POWER " once, LED will display "PL10". The default power is 100% power. Now you can press number keys to adjust the power level.
4. Press " START/+30SEC." to start cooking.

Example: to cook the food with 50% microwave power for 15 minutes.

- a. Press "TIME COOK" once."00:00" displays.
- b. Press "1""5""0""0" in order.
- c. Press "POWER" once,then press "5" to select 50% microwave power.
- d. Press "START/+30SEC." to start cooking.

Note:

- 1) In the process of setting, if the " STOP/CANCEL" button is pressed or if there is no operation within 1 minute, the oven will go back to the former setting automatically.
- 2) If "PL0" selected, the oven will work with fan for no power. You can use this level to remove the odour of the oven.
- 3) During microwave cooking, "POWER" can be pressed to change the power you need. After pressing "POWER",the current power flash for 3 seconds, now you can press number button to change the power. The oven will work with the selected power for the rest time.



5 . Grilling Cooking

1. Press the " GRILL/COMBO " button once to choose the grill function, the LED will display "G-1".
2. Set the cooking time, the maximum cooking time is 99 minutes and 99 seconds.

Example: Set 12 minutes 50 seconds, press "1","2","5","0" in order.

3. Press " START/+30SEC. " to start cooking. The cooking time counts down.



Note: If half the grill time passes, the oven pauses and sounds twice, and this is normal. You can just press "START/+30SEC." to continue cooking. But in order to have a better effect of grilling food, you should turn the food over, close the door, and then press "START/+30SEC." to continue cooking. If there is no operation in 1 minute, the oven will continue working and beep once.

6. Combination cooking (microwave + grilling)

1. Press the "GRILL/COMBO" button twice or thrice to choose "Combination 1" (55%microwave+45%grill) or "Combination 2" (36%microwave+64%grill), LED will display "C-1" or "C-2".
2. Set the cooking time, the maximum cooking time is 99 minutes and 99 seconds.

Example: Set 12 minutes 50 seconds, press "1", "2", "5", "0" in order.

3. Press "START/+30SEC." to start cooking. The cooking time counts down.

Function	Display	Microwave Power	Grill Power
Combi.1	C-1	55%	45%
Combi.2	C-2	36%	64%

7. Speedy Cooking

1. In waiting state, instant cooking at 100% power level can be started by select a cooking time from 1 to 6 minutes by pressing number pads 1 to 6. Press "START/+30SEC." to increase the cooking time; the maximum cooking time is 99 minutes and 99 seconds.
2. In waiting state, instant cooking at 100% power level with 30 seconds' cooking time can be started by pressing "START/+30SEC.". Each press on the same button will increase cooking time by 30 seconds. the maximum cooking time is 99 minutes and 99 seconds.
3. After pressing "TIME COOK" and the cooking time is selected, press "START/+30SEC." to start cooking at 30 seconds with full microwave power.

8. Weight Defrost Function

1. Press "W.T./TIME DEFROST" once, LED will display "def1".
2. Press numerical buttons to input weight to be defrosted.
Input the weight ranged between 100~2000 g.

3. If the weight input is not within 100~2000, the input will be invalid. A “beep” will be sound and the unit will not work until valid numbers are input .
4. Press “ START/+30SEC. ” to start defrosting and the cooking time remained will be displayed.

9. Time Defrost Function

1. Press “ W.T./TIME DEFROST ” twice, LED will display “dEF2”.
2. Press number pads to input defrosting time. The effective time range is 00:01~99:99
3. The default microwave power is power level 3. If you want to change the power level, press “ POWER ” once, and the LED will display “PL 3”, then press the number pad of the power level you wanted.
4. Press “ START/+30SEC. ” to start defrosting. The remained cooking time will be displayed.

10. POPCORN

- a) Press “ POPCORN ” repeatedly until the number you wish appears in the display, “50”, “100” grams will display in order. For example, press “POPCORN” once, “50” appears.
- b) Press “ START/+30 SEC. ” to cook, buzzer will sound five times and then turn back to waiting state.

11. POTATO

- a) Press “ POTATO ” repeatedly until the number you wish appears in the display, “1”, “2”, “3” will display in order.
“1”SET : 1 potato (approximate 230 gram)
“2”SETS: 2 potatoes (approximate 460 gram)
“3”SETS: 3 potatoes (approximate 690 gram)

For example, press “POTATO” once, “1” appears.

- b) Press “ START/+30 SEC. ” to cook, buzzer sounds once. When cooking finish, buzzer sounds five times and then turn back to waiting state.

12. FROZEN VEGETABLE

- a) Press “ FROZEN VEGETABLE ” repeatedly until the number you wish appears in the display, “150”, “350”, “500” grams will display in order.

For example, press "FROZEN VEGETABLE" once, "150" appears.

- b) Press " START/+30 SEC. " to cook, buzzer sounds once. When cooking finish, buzzer sounds five times and then turn back to waiting state.

13. BEVERAGE

- a) Press " BEVERAGE " repeatedly until the number you wish appears in the display, "1", "2", "3" cup will display in order. One cup is about 120ml. For example, press "BEVERAGE" once, "1" appears.
- b) Press " START/+30 SEC. " to cook, buzzer sounds once. When cooking finish, buzzer sounds five times and then turn back to waiting state.

14. MEAT Function

A. Chicken menu

- a) Press " MEAT " once to choose chicken menu, "CHIC" displays.
- b) Press " START/+30 SEC. " to confirm the menu. "400" displays.
- c) Keep pressing " MEAT " to choose chicken weight. "600", "800", "1000" or "1200" grams can be selected.
- d) Press " START/+30 SEC. " to cook, buzzer sounds once. When cooking finish, buzzer sounds five times and then turn back to waiting state.

B. BEEF menu

- a) Press " MEAT " twice to choose beef menu, "BEEF" displays.
- b) Press " START/+30 SEC. " to confirm the menu. "300" displays.
- c) Keep pressing " MEAT " to choose beef weight. "500", "700", "900" or "1100" grams can be selected.
- d) Press " START/+30 SEC. " to cook, buzzer sounds once. When cooking finish, buzzer sounds five times and then turn back to waiting state.

C. PORK menu

- a) Press " MEAT " three times to choose pork menu, "PO" displays.
- b) Press " START/+30 SEC. " to confirm the menu. "150" displays.
- c) Keep pressing " MEAT " to choose pork weight. "300", "450", "600" or "750" grams can be selected.
- d) Press " START/+30 SEC. " to cook, buzzer sounds once. When cooking finish, buzzer sounds five times and then turn back to waiting state.

15. DINNER PLATE

a) Press " DINNER PLATE " repeatedly until the number you wish appears in the display, "250","350","500" grams will display in order.

For example, press "DINNER PLATE" once , "250" appears.

b) Press " START/+30 SEC. " to cook, buzzer sounds once.When cooking finish,buzzer sounds five times and then turn back to waiting state.

16. FROZEN PIZZA

a) Press " FROZEN PIZZA " repeatedly until the number you wish appears in the display, "100","200","400" grams will display in order.

For example, press "FROZEN PIZZA" once , "100" appears.

b) Press " START/+30 SEC. " to cook, buzzer sounds once.When cooking finish,buzzer sounds five times and then turn back to waiting state.

17. Multi-stage cooking

At most 2 stages can be set for cooking. In multi-stage cooking, if one stage is defrosting, then defrosting shall be placed at the first stage automatically.

Note: Auto cooking cannot work in the multi-stage cooking.



Example: if you want to cook with 80% microwave power for 5 minutes + 60% microwave power for 10 minutes. The cooking steps are as following:

- 1) Press "TIME COOK" once,then press "5","0","0" to set the cooking time;
- 2) Press "POWER" once,then press "8" to select 80% microwave power.
- 3) Press "TIME COOK" once,then press "1","0","0","0" to set the cooking time;
- 4) Press "POWER" once,then press "6" to select 60% microwave power.
- 5) Press "START/ +30 SEC." to start cooking.

18. LOCK FUNCTION FOR CHILDREN

Lock: In waiting state, press " STOP/CANCEL " for 3 seconds, there will be a long "beep" denoting the entering into the children-lock state; meanwhile, LED will display "[_ _]". Lock quitting: In locked state, press " STOP/CANCEL " for 3 seconds, there will be a long "beep" denoting that lock is released.

19. MEMORY FUNCTION

- 1) Press "0/MEMORY" to choose memory 1-3 procedure. The LED will display 1,2,3.
- 2) If the procedure has been set, press " START/ +30 SEC." to use it. If not, continue

to set the procedure. Only one or two stages can be set.

- 3) After finishing the setting, press "START/ +30 SEC." once to save the procedure and turn back to the waiting states. If press " START/ +30 SEC." again, it will start cooking.

Example: to set the following procedure as the second memory, that is memory 2. to cook the food with 80% microwave power for 3minutes and 20 seconds.

The steps are as follow:

- a. In waiting states, press "0/MEMORY" twice, stop pressing until the screen displays "2".
- b. Press "TIME COOK" once, then press "3", "2", "0" in order.
- c. Press "POWER" once, "PL10" display, then press "8" and "PL8" displays.
- d. Press "START/ +30 SEC." to save the setting. Buzzer sounds once then turn back to waiting states. If you press "START/+30SEC." again, the procedure will be saved as the memory 2 and operated.
- e. If the electricity is not cut off, the procedure will be saved all the time. If it is, the procedure need to reset.
- f. If you want to run the saved procedure, in waiting state, press "0/MEMORY" twice, screen displays "2", then press "START/+30SEC." to run.

20. INQUIRING FUNCTION

- 1) In cooking state, press " CLOCK/ TIMER ", the LED will display clock for three seconds.
- 2) In the microwave cooking state, press " POWER " to inquire microwave power level, and the current microwave power will be displayed. After three seconds, the oven will turn back to the previous state. In multi-stage state, the inquiring way can be done by the same way as above.

21. COOKING END REMINDING FUNCTION

When the cooking is over, the buzzer will sound 5 "beep" to alert user the cooking is finished.

22. OTHER SPECIFICATIONS

- 1) In standby state, if the set clock digital tube displays current time, the icon " : " would flash; otherwise, it shows " 0:00 ".
- 2) In setting function state, LED displays corresponding setting.
- 3) In working or pause state, LED displays surplus cooking time.

TROUBLE SHOOTING

Normal

Microwave oven interfering TV reception	Radio and TV reception may be interfered when microwave oven operating. It is similar to the interference of small electrical appliances, like mixer, vacuum cleaner and electric fan. It is normal.
Dim oven light	In low power microwave cooking, oven light may become dim. It is normal.
Steam accumulating on door, hot air out of vents	In cooking, steam may come out of food. Most will get out from vents. But some may accumulate on cool place like oven door. It is normal.
Oven started accidentally with no food in	It is forbidden to run the unit without any food inside. It is very dangerous.

Trouble	Possible Cause	Remedy
Oven can not be started.	1. Power cord not plugged tightly.	Unplug. Then plug again after 10 seconds.
	2. Fuse blowing or circuit breaker works.	Replace fuse or reset circuit breaker (repaired by professional personnel of Feller)
	3. Trouble with outlet.	Test outlet with other electrical appliances.
Oven doesn't heat.	4. Door not closed well.	Close door well.
Glass turntable makes noise when microwave oven operates.	5. Dirty roller rest and oven bottom.	Refer to "Maintenance of Microwave" to clean dirty parts.

NOTE



According to Waste of Electrical and Electronic Equipment (WEEE) directive, WEEE should be separately collected and treated. If at any time in future you need to dispose of this product please do NOT dispose of this product with household waste. Please send this product to WEEE collecting points or after sale service centre of Feller.



مواردِ عادی

<p>گیرندگی دستگاه‌های رادیویی و تلویزیونی ممکن است در زمانی که آون مایکروویو در حال کارکردن است تحت تأثیر قرار بگیرد که شبیه به تداخل کارکرد وسایل برقی کوچک (مانند همزن، جاروبرقی، پنکه‌ی برقی) است. این امر، عادی است.</p>	<p>آون مایکروویو باعث اختلال در تلویزیون می‌شود.</p>
<p>در زمان پخت با عملکرد مایکروویو و با توان کم، نور چراغ آون ممکن است کم شود که مسئله‌ای عادی است.</p>	<p>چراغ آون کم‌نور است.</p>
<p>در هنگام پخت، ممکن است بخار از غذا خارج شود که بیشتر آن از روزنه‌های خروجی بیرون می‌آید، ولی مقداری از آن ممکن است بر روی سطوح خنک مانند در آون میعان کند. این امر، عادی است.</p>	<p>بخارگرفتگی بر روی در و خروج هوای گرم از روزنه‌ها</p>
<p>به‌کار انداختن آون، بدون آنکه غذایی درون آن باشد، ممنوع است. این مسئله، بسیار خطرناک است.</p>	<p>آون به‌طور تصادفی بدون مواد غذایی شروع به کار کرده‌است.</p>

راه‌حل	علت احتمالی	مشکل
<p>دوشاخه را از پریز برق جدا کنید و دوباره، پس از ۱۰ ثانیه، محکم به پریز متصل کنید.</p>	<p>۱. دوشاخه، به خوبی به پریز برق متصل نشده است.</p>	
<p>فیوز را عوض کنید یا قطع‌کننده‌ی مدار را مجدداً به کار بیندازید (این کارها را باید افراد ماهر و متخصص یکی از مراکز مجاز خدمات پس‌ازفروش فلر انجام دهند).</p>	<p>۲. قطع شدن فیوز یا قطع شدن جریان الکتریکی</p>	<p>نمی‌توان آون را روشن کرد.</p>
<p>پریز برق را با وسایل برقی دیگر کنترل کنید.</p>	<p>۳. پریز برق، ایرادی دارد.</p>	
<p>در را به طور کامل ببندید.</p>	<p>۴. در به خوبی بسته نشده است.</p>	<p>آون داغ نمی‌شود.</p>
<p>برای تمیزکاری اجزاء، به بخش «نگهداری مایکروویو» رجوع کنید.</p>	<p>۵. حامل صفحه‌گردان یا غلتک‌های زیرین آن یا ته آون، کثیف شده است.</p>	<p>به هنگام کارکردن آون مایکروویو، صفحه‌گردان شیشه‌ای صدا می‌دهد.</p>

۲۰. عملکرد بررسی

۱. در وضعیت طبخ، «CLOCK/KITCHEN TIMER» را فشار دهید. LED به مدت ۳ ثانیه ساعت را نشان خواهد داد.
۲. در حالت پخت با مایکروویو، «POWER» را برای بررسی سطح توان مایکروویو فشار دهید؛ توان جاری نشان داده خواهد شد. پس از ۳ ثانیه، آون به وضعیت قبلی بازمی‌گردد. در حالت پخت چند مرحله‌ای، عملکرد بررسی همانند روش فوق انجام می‌گردد.

۲۱. عملکرد یادآوری پایان پخت

۱. زمانیکه طبخ پایان یافت، زنگ ۵ مرتبه به صدا در می‌آید و به کاربر هشدار می‌دهد که پخت، به اتمام رسیده است.

۲۲. سایر ویژگی‌ها

۱. در وضعیت انتظار، اگر ساعت دیجیتال زمان جاری را نشان دهد، نماد «:» چشمک خواهد زد. در غیر اینصورت، «:۰:۰» نشان داده می‌شود.
۲. در وضعیت تنظیم عملکرد، LED تنظیم مشابه را نشان می‌دهد.
۳. در وضعیت انجام کار یا توقف، LED باقی‌مانده را نشان می‌دهد.

توجه



مطابق با رهنمودهای مربوط به دورانداختن تجهیزات و دستگاه‌های برقی و الکترونیکی (WEEE)، این موارد را باید جداگانه جمع‌آوری و بازیافت کرد. اگر در هر زمانی در آینده نیاز به دورانداختن این دستگاه پیدا کردید، لطفاً آن را با زباله‌های خانگی دور نیندازید. دستگاه را به نزدیک‌ترین مرکز جمع‌آوری زباله‌های صنعتی یا یکی از مراکز مجاز خدمات پس‌ازفروش فلر تحویل دهید.

۱۸. عملکرد قفل برای کودکان

قفل کردن: در حالت انتظار، «STOP/CANCEL» (توقف / لغو) را به مدت ۳ ثانیه فشار دهید. صدایی ممتد به گوش می‌رسد و نشان‌دهنده‌ی وارد شدن به وضعیت قفل کودکان است و در همین حین، LED، «[]» را نشان می‌دهد.
باز کردن قفل: در وضعیت قفل شده، «STOP/CANCEL» را به مدت ۳ ثانیه فشار دهید. صدایی ممتد به گوش می‌رسد و نشان‌دهنده‌ی برطرف شدن وضعیت قفل کودکان است.

۱۹. عملکرد حافظه

- ۱) برای انتخاب رویه‌ی حافظه از ۱ تا ۳، «MEMORY/0» را فشار دهید. LED، ۱، ۲، یا ۳ را نشان می‌دهد.
- ۲) اگر رویه تنظیم شد برای استفاده از آن، «START/+30SEC» را فشار دهید. در غیر این صورت، تنظیم را ادامه دهید. تنها یک یا دو رویه قابل تنظیم است.
- ۳) پس از اتمام تنظیم، یکبار «START/+30SEC» را برای ذخیره کردن رویه و بازگشت به حالت انتظار فشار دهید. اگر دوباره «START/+30SEC» را فشار دهید، دستگاه شروع به پخت می‌کند.

مثال: تنظیم رویه‌ی زیر به عنوان حافظه‌ی دوم، یا حافظه‌ی ۲ مراحل به شرح زیر است:

الف. در حالت انتظار، «MEMORY/0» را دومرتبه فشار دهید تا صفحه، «۲» را نشان دهد.

ب. «TIME COOK» را یکبار فشار دهید، سپس «۳»، «۲» و «۰» را به ترتیب فشار دهید.

پ. «POWER» را یکبار فشار دهید، «PL10» نمایش داده می‌شود. سپس «۸» را فشار دهید و «PL8» ظاهر می‌شود.

ت. «START/+30SEC» را برای ذخیره کردن تنظیم‌ها فشار دهید. زنگ یکبار به صدا در می‌آید و به حالت انتظار می‌رود. اگر «START/+30SEC» را مجدداً فشار دهید. رویه به عنوان حافظه‌ی ۲ ذخیره شده و عمل می‌کند.

ث. اگر جریان برق قطع نشود، رویه در تمام اوقات ذخیره خواهد شد. در غیر این صورت، رویه نیاز به تنظیم مجدد دارد.

ج. اگر بخواهید رویه‌ی ذخیره شده را اجرا کنید، در حالت انتظار، «MEMORY/0» را دو مرتبه فشار دهید؛ صفحه‌ی نمایش «۲» را نشان می‌دهد، سپس «START/+30SEC» را برای اجرا فشار دهید.

۱۵. بشقاب غذا

الف. «DINNER PLATE» (بشقاب غذا. را فشار دهید تا عدد دلخواه شما ظاهر شود) «۲۵۰»، «۳۵۰» و «۵۰۰» گرم به ترتیب نشان داده می شود.
برای مثال، یکبار «DINNER PLATE» را فشار دهید. «۲۵۰» ظاهر می شود.
ب. «START/+30SEC» را برای طبخ، فشار دهید. زنگ یکبار به صدا درمی آید. در زمان پایان پخت، زنگ ۵ مرتبه به صدا درمی آید و به حالت انتظار بازمی گردد.

۱۶. پیتزای منجمد

الف. «FROZEN PIZZA» (پیتزای منجمد. را فشار دهید تا عدد دلخواه شما ظاهر شود) «۱۰۰»، «۲۰۰» و «۴۰۰» به ترتیب نشان داده می شود.
برای مثال، یکبار «FROZEN PIZZA» را فشار دهید. «۱۰۰» ظاهر می شود.
ب. «START/+30SEC» را برای طبخ، فشار دهید. زنگ یکبار به صدا درمی آید. در زمان پایان پخت، زنگ ۵ مرتبه به صدا درمی آید و به حالت انتظار بازمی گردد.

۱۷. پخت چند مرحله‌ای

اغلب دو حالت برای آشپزی قابل تنظیم خواهد بود. در پخت چند قسمتی اگر یک قسمت یخ‌زدایی باشد، می‌تواند به اولین بخش انتقال یابد.

توجه: پخت بطور خودکار در عملکرد چند مرحله‌ای قابل استفاده نیست.



مثال: اگر بخواهید با ۸۰٪ توان مایکروویو به مدت ۵ دقیقه +۶۰٪ توان مایکروویو به مدت ۱۰ دقیقه کار کنید، مراحل پخت به شرح زیر است:

۱. «TIME COOK» را یکبار فشار دهید، سپس «۵»، «۰» و «۰» را برای انتخاب زمان پخت فشار دهید.
۲. «POWER» را یکبار فشار دهید، سپس «۸» را برای انتخاب ۸۰٪ توان مایکروویو فشار دهید.
۳. «TIME COOK» را یکبار فشار دهید، سپس «۱»، «۰»، «۰» و «۰» را برای تنظیم زمان پخت فشار دهید.
۴. «POWER» را یکبار فشار دهید. سپس «۶» را برای انتخاب ۶۰٪ توان مایکروویو فشار دهید.
۵. برای آغاز پخت، «START/+30SEC» را فشار دهید.

۱۲. سبزیجات منجمد

الف. «FRPOZEN VEGETABLES» (سبزیجات منجمد. را فشار دهید تا عدد دلخواه شما ظاهر شود) «۱۵۰»، «۳۵۰» و «۵۰۰» گرم به ترتیب نشان داده می‌شود. برای مثال، یکبار «FRPOZEN VEGETABLES» را فشار دهید. «۱۵۰» ظاهر می‌شود.

ب. «START/+30SEC» را برای طبخ، فشار دهید. زنگ یکبار به صدا درمی‌آید. در زمان پایان پخت، زنگ ۵ مرتبه به صدا درمی‌آید و به حالت انتظار بازمی‌گردد.

۱۳. نوشیدنی

الف. «BEVERAGE» (نوشیدنی. را بطور ممتد فشار دهید تا عدد دلخواه روی صفحه‌ی نمایش نشان داده شود) «۱»، «۲» و «۳» فنجان به ترتیب نمایش داده خواهد شد. یک فنجان حدود ۱۲۰ میلی‌لیتر است. برای مثال، «BEVERAGE» را یکبار فشار دهید) «۱» ظاهر می‌شود.

ب. «START/+30SEC» را برای طبخ، فشار دهید. زنگ یکبار به صدا درمی‌آید. در زمان پایان پخت، زنگ ۵ مرتبه به صدا درمی‌آید و به حالت انتظار بازمی‌گردد.

۱۴. پخت گوشت

۱. جوجه

الف. «MEAT» (گوشت) را یکبار فشار دهید تا فهرست آن انتخاب شود. «CHIC» (جوجه) ظاهر می‌شود.

ب. برای تأیید فوق، «START/+30SEC» را فشار دهید. «۴۰۰» نمایش داده می‌شود.

پ. برای انتخاب وزن جوجه، «MEAT» را فشار داده و نگه دارید. «۶۰۰»، «۸۰۰»، «۱۰۰۰» و «۱۲۰۰» گرم قابل انتخاب هستند.

ت. «START/+30SEC» را برای طبخ، فشار دهید. زنگ یکبار به صدا درمی‌آید. در زمان پایان پخت، زنگ ۵ مرتبه به صدا درمی‌آید و به حالت انتظار بازمی‌گردد.

۲. گوشت گاو

الف. «MEAT» (گوشت) را دوبار فشار دهید تا فهرست آن انتخاب شود، «BEEF» (گوشت گاو) ظاهر می‌شود.

ب. برای تأیید فوق، «START/+30SEC» را فشار دهید. «۳۰۰» نمایش داده می‌شود.

پ. برای انتخاب وزن گوشت گاو، «MEAT» را فشار داده و نگه دارید. «۵۰۰»، «۷۰۰»، «۹۰۰» و «۱۱۰۰» گرم قابل انتخاب هستند.

ت. «START/+30SEC» را برای طبخ، فشار دهید. زنگ یکبار به صدا درمی‌آید. در زمان پایان پخت، زنگ ۵ مرتبه به صدا درمی‌آید و به حالت انتظار بازمی‌گردد.

وزن را در محدوده‌ی ۱۰۰ تا ۲۰۰۰ گرم وارد نمایید.

۳. اگر وزن در بازه‌ی ۱۰۰ تا ۲۰۰۰ گرم نیست، مقدار وارد شده غیر معتبر خواهد بود. یک صدای کوتاه به گوش می‌رسد و دستگاه کار نمی‌کند مگر اینکه مقداری معتبر وارد شود.

۴. «START/+30SEC» را برای آغاز یخ‌زدایی فشار دهید. مدت زمان پخت باقی‌مانده نمایش داده خواهد شد.

۹. عملکرد یخ‌زدایی با زمان

۱. «WEIGHT/TIME DEFROST» را دوبار فشار دهید. dEF2، LED را نشان خواهد داد.

۲. اعداد را برای وارد کردن زمان یخ‌زدایی فشار دهید. محدوده‌ی زمان کارآمد ۰۰:۰۱ تا ۹۹:۹۹ خواهد بود.

۳. توان پیش‌فرض مایکروویو در سطح ۳ قرار دارد. اگر بخواهید سطح توان را تغییر دهید «POWER» را یکبار فشار دهید. LED، PL3 را نمایش خواهد داد. سپس اعداد را برای وارد کردن سطح مورد نیاز فشار دهید.

۴. «START/+30SEC» را برای آغاز یخ‌زدایی فشار دهید. مدت زمان پخت باقی‌مانده نمایش داده خواهد شد.

۱۰. ذرت تفت داده‌شده

الف. «POPCORN» (ذرت تفت داده‌شده. را بطور ممتد فشار دهید تا عدد دلخواه شما نمایش داده شود. «۵۰» و «۱۰۰») به ترتیب نشان داده خواهند شد.

برای مثال، «POPCORN» را یکبار فشار دهید، «۵۰» ظاهر می‌شود.

ب. «START/+30SEC» را برای طبخ، فشار دهید. زنگ ۵ مرتبه به صدا درمی‌آید و به حالت انتظار بازمی‌گردد.

۱۱. سیب‌زمینی

الف. «POTATO» (سیب‌زمینی. را بطور ممتد فشار دهید تا عدد دلخواه روی صفحه‌ی نمایش نشان داده شود. «۱»، «۲» و «۳» به ترتیب نمایش داده خواهد شد.

تنظیم «۱»: ۱ عدد سیب‌زمینی (حدود ۲۳۰ گرم)

تنظیم «۲»: ۲ عدد سیب‌زمینی (حدود ۴۶۰ گرم)

تنظیم «۳»: ۳ عدد سیب‌زمینی (حدود ۶۹۰ گرم)

برای مثال، یکبار «POTATO» را فشار دهید. «۱» ظاهر می‌شود.

ب. «START/+30SEC» را برای طبخ، فشار دهید. زنگ یکبار به صدا درمی‌آید. در زمان پایان پخت، زنگ ۵ مرتبه به صدا درمی‌آید و به حالت انتظار بازمی‌گردد.

۶. پخت ترکیبی (مایکروویو+گریل)

۱. دکمه GRILL/COMBI (گریل+ ترکیبی) را دو مرتبه فشار دهید و «Combination 1» (۵۵٪ توان مایکروویو+۴۵٪ توان گریل) یا «Combination 2» (۳۶٪ توان مایکروویو+۶۴٪ توان گریل) را انتخاب نمایید، LED یا «C-2» را نشان می‌دهد.
۲. زمان پخت را تنظیم نمایید. بیشترین مقدار زمان، ۹۹ دقیقه و ۹۹ ثانیه است.

مثال: برای تنظیم ۱۲ دقیقه و ۵۰ ثانیه، اعداد «۱»، «۲»، «۵» و «۰» را به ترتیب فشار دهید.

۳. برای آغاز پخت، «START/+30 SEC» را فشار دهید. مدت زمان پخت بطور معکوس کم خواهد شد.

دستورالعمل	صفحه‌ی نمایش	مایکروویو	گریل
۱	C-1	٪۵۵	٪۴۵
۲	C-2	٪۳۶	٪۶۴

۷. پخت سریع

۱. در حالت انتظار، می‌توان با انتخاب زمان پخت از ۱ تا ۶ دقیقه و با توان ۱۰۰٪، و با فشار دادن اعداد ۱ تا ۶ طبخ را سریعاً آغاز نمود. «START/+30SEC» را برای افزایش زمان پخت، فشار دهید؛ بیشترین زمان پخت ۹۹ دقیقه و ۹۹ ثانیه است.
۲. در حالت انتظار، می‌توان پخت سریع را با توان ۱۰۰٪ و به مدت ۳۰ ثانیه با فشار دادن «START/+30SEC» آغاز نمود. هر بار فشار دادن دکمه، زمان پخت را ۳۰ ثانیه افزایش می‌دهد. بیشترین زمان پخت ۹۹ دقیقه و ۹۹ ثانیه است.
۳. پس از فشار دادن «TIME COOK» و انتخاب زمان پخت، برای آغاز طبخ با توان کامل مایکروویو و در زمان انتخاب شده، «START/+30SEC» را فشار دهید.



توجه: در حین پخت با مایکروویو و زمان یخ‌زدایی، می‌توان با فشار دادن «START/+30SEC»، زمان را افزایش داد.

۸. عملکرد یخ‌زدایی با وزن

۱. «WEIGHT/TIME DEFROST» (یخ‌زدایی با وزن/ زمان) را یکبار فشار دهید (LED، DEF1 را نشان خواهد داد).
۲. برای وارد کردن وزن مواد غذایی که باید یخ‌زدایی گردند، اعداد را فشار دهید.

- ب. به ترتیب، اعداد «۱»، «۵»، «۰» و «۰» را فشار دهید.
- پ. «POWER» (توان) را یکبار فشار دهید و سپس، «۵» را برای انتخاب توان مایکروویو فشار دهید.
- ت. برای آغاز پخت، «START/+30SEC» را فشار دهید.



توجه:

۱. در حین فرآیند طبخ، اگر دکمه‌ی «STOP/CANCEL» (توقف/لغو) فشار داده شود یا به مدت ۱ دقیقه اقدامی صورت نگیرد، آون بطور خودکار به تنظیم قبلی باز می‌گردد.
۲. اگر «PLO» انتخاب شود، فقط فن آون و بدون توان، کار خواهد کرد. شما می‌توانید از این سطح برای برطرف نمودن بوی غذا استفاده نمایید.
۳. در حین پخت با مایکروویو، «POWER»، توان جاری به مدت ۳ ثانیه روشن می‌شود. اکنون می‌توانید برای تغییر توان، اعداد را فشار دهید. آون بقیه‌ی مدت را با توان انتخاب شده کار خواهد کرد.

۵. پخت با گریل

۱. دکمه‌ی «GRILL/COMBO» (گریل/ترکیبی) را یکبار فشار دهید تا عملکرد گریل انتخاب گردد. G-1، LED را نمایش خواهد داد.
 ۲. زمان پخت را تنظیم نمایید. بیشترین مقدار زمان، ۹۹ دقیقه و ۹۹ ثانیه است.
- مثال:** برای تنظیم ۱۲ دقیقه و ۵۰ ثانیه، به ترتیب اعداد «۱»، «۲»، «۵» و «۰» را فشار دهید.
۳. برای آغاز پخت، «START/+30 SEC» را فشار دهید. مدت زمان پخت بطور معکوس کم خواهد شد.



توجه: چنانچه نیمی از زمان گریل به اتمام برسد، آون مکث کوتاهی کرده و دوباره صدادر می‌آید. این مسئله، طبیعی است. ادامه پخت، فقط باید دکمه‌ی «START/+30 SEC» را فشار دهید. برای تاثیر گذاری بهتر گریل بر غذا، بهتر است غذا را برگردانده و به در نزدیک کنید. برای ادامه پخت، دکمه‌ی «START/+30 SEC» را فشار دهید. اگر به مدت ۱ دقیقه، عملکردی صورت نگیرد، آون به کار خود ادامه داده و یکبار به صدا در می‌آید.



توجه:

- ۱) در فرآیند تنظیم زمان، چنانچه دکمه‌ی «STOP/CANCEL» (توقف/ لغو) فشار داده شود یا به مدت ۱ دقیقه اقدامی صورت نگیرد، آن بطور خودکار به تنظیم قبلی باز خواهد گشت.
- ۲) اگر نیاز است که ساعت مجدداً تنظیم شود، لطفاً مراحل ۱ تا ۳ را تکرار نمایید.

۳. زمان سنج آشپزی

۱. «CLOCK/KITCHEN TIMER» (ساعت/ زمان سنج آشپزی) را دوبار فشار دهید. LED ، ۰۰:۰۰ را نشان خواهد داد و اولین ساعت چشمک خواهد زد.
۲. اعداد را فشار داده و زمان آن را وارد نمایید. (بیشترین زمان پخت، ۹۹ دقیقه و ۹۹ ثانیه است)
۳. «START/+30 SEC» (آغاز +/۳۰ ثانیه) را برای تأیید، فشار دهید.
۴. با فرا رسیدن زمان تایمر، زنگ ۵ مرتبه به صدا در می‌آید. اگر ساعت تنظیم شده باشد (سیستم ۱۲ ساعته) LED زمان جاری را نشان خواهد داد.



توجه:

- ۱) زمان آشپزخانه متفاوت از سیستم ۱۲ ساعته است. تایمر آشپزی، یک زمان سنج است.
- ۲) در زمان تنظیم تایمر آشپزی، هیچ برنامه‌ای قابل تنظیم نیست.

۴. پخت با مایکروویو

۱. «TIME COOK» (مدت زمان پخت) را یکبار فشار دهید. LED «۰۰:۰۰» را نمایش خواهد داد.
۲. اعداد را فشار داده و زمان پخت را وارد نمایید. (بیشترین زمان پخت، ۹۹ دقیقه و ۹۹ ثانیه است).
۳. «POWER» (توان) را یکبار فشار دهید. LED ، PL10 را نمایش خواهد داد. توان پیش فرض ، ۱۰۰% است. اکنون می‌توانید برای تنظیم سطح توان، اعداد را فشار دهید.
۴. برای آغاز پخت، «START/+30 SEC» (آغاز +/۳۰ ثانیه) را فشار دهید.

مثال: طبخ غذا با ۵۰% توان مایکروویو به مدت ۱۵ دقیقه.

- الف. «TIME COOK» (مدت زمان پخت) را یکبار فشار دهید. «۰۰:۰۰» نمایش داده خواهد شد.

آون تان آسیب برساند.

۴. آون را به دور از رادیو و تلویزیون قرار دهید.

کار ریزموج‌ها ممکن است باعث ایجاد تداخل در گیرنده‌های رادیویی و تلویزیونی شود.

۵. دوشاخه‌ی آون را به پریزی خانگی و استاندارد بزیند. مطمئن شوید که ولتاژ و بسامد پریز برق منزل تان با ولتاژ و بسامد برق دستگاه یکی باشد.

هشدار: آون را بر روی آون گازی یا برقی یا امثال آنها قرار ندهید. اگر آون را در نزدیکی منابع گرمایی نصب کنید، ممکن است آسیب ببینید و ضمانت دستگاه از بین برود.



سطوح در دسترس دستگاه، در طی کارکردن آن، ممکن است بسیار داغ شوند.



عملکرد

۱. سطح توان

۱۱ سطح توان در دسترس اند.

سطح	0	1	2	3	4	5	6	7	8	9	10
توان	%0	%10	%20	%30	%40	%50	%60	%70	%80	%90	%100
نمایش	PL0	PL1	PL2	PL3	PL4	PL5	PL6	PL7	PL8	PL9	PL10

۲. تنظیم ساعت

۱. دکمه‌ی «CLOCK/TIMER» (ساعت/زمان‌سنج) را یکبار فشار دهید. «۰۰:۰۰» نمایش داده خواهد شد.

۲. اعداد را فشار دهید و زمان جاری را وارد نمایید. برای مثال، ساعات الان ۱۲:۱۰ است، لطفاً «۱،۲،۱۰» را به ترتیب فشار دهید.

۳. برای اتمام تنظیم زمان، «CLOCK/TIMER» (ساعت/زمان‌سنج) را فشار دهید. «:» خواهد درخشید و زمان روشن می‌شود.

۴. اگر اعداد وارد شده در بازه‌ی ۱:۰۰ تا ۱۲:۵۹ نباشند، تنظیم غیر معتبر خواهد بود تا اعداد، به درستی وارد شوند.

الف) هرگز سینی شیشه‌ای را بطور معکوس قرار ندهید. سینی شیشه‌ای نباید در جای خود در تنگنا باشد.

ب) صفحه‌گردان و حامل آن، هر دو باید همیشه در طی فرآیند پخت استفاده کرد.

پ) همه‌ی مواد غذایی و ظروف آنها را همیشه باید برای پخت بر روی صفحه‌گردان گذاشت.

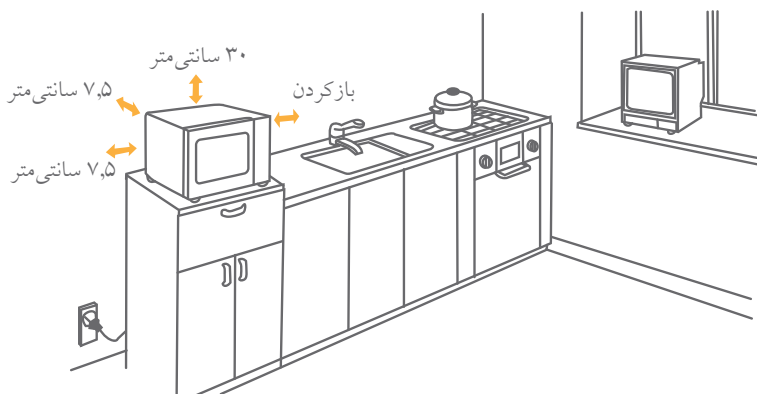
ت) اگر سینی شیشه‌ای یا حلقه‌ی آن ترک خورد یا شکست، با مرکز خدمات پس از فروش شرکت فلر تماس بگیرید.

نصب بر روی سطح کار

همه‌ی موارد بسته‌بندی را از آون و اجزای آن جدا کنید. ببینید آون آسیب ندیده باشد و سالم و کامل باشد (مثلاً پریدگی یا شکستگی در آون) اگر آسیبی ملاحظه کردید، دستگاه را به کار نیندازید.

پوشش‌های محافظ روی سطح بدنه‌ی آون را جدا کنید. هرگز پوشش میکایی قهوه‌ای‌رنگ درون محفظه‌ی پخت آون را نکنید؛ این پوشش برای محافظت از مگنترون دستگاه است.

نصب



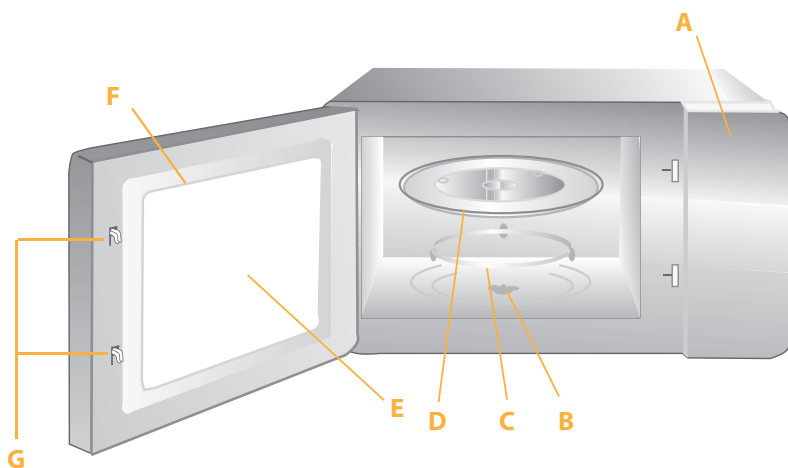
۱. سطح کاری را برگزینید که فضای کافی برای شبکه‌های ورودی/خروجی هوای مایکروویو باقی بگذارد.

فاصله‌ای دست کم ۷/۵ سانتی‌متری باید بین آون و دیوارهای کناری وجود داشته باشد.

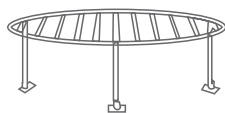
۱. فاصله‌ای دست کم ۳۰ سانتی‌متری باید در بالای آون باشد.

۲. پایه‌های آون را جدا نکنید.

۳. مسدودکردن شبکه‌های ورودی و/خروجی هوای مایکروویو ممکن است به



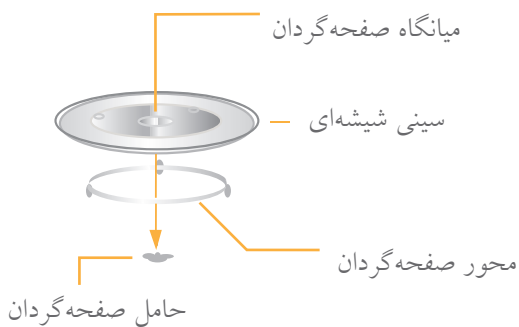
- A.** صفحه‌ی کنترل
- B.** محور صفحه‌گردان
- C.** حامل صفحه‌گردان
- D.** صفحه‌گردان (سینی) شیشه‌ای
- E.** پنجره‌ی دید
- F.** در آون
- G.** سیستم چفت و بست ایمنی



پایه‌ی سیمی
(تنها برای دستگاه‌های دارای عملکرد گریل)

اگر در دستگاه هنگام عملکرد آن باز شد، آون را خاموش کنید.

نصب صفحه‌ی گردان



پوشش‌های پلاستیکی	تنها از نوع قابل مصرف در مایکروویو و برای پوشاندن سطح غذا و آبدار ماندن آن استفاده نمایید. اجازه ندهید پوشش، با سطح مواد غذایی تماس پیدا کند.
دماسنج	فقط از دماسنج‌های مناسب مایکروویو استفاده نمایید (دماسنج‌های گوشت، شکلات و ...)
کاغذ مومی	از کاغذ مومی به عنوان پوششی برای جلوگیری از پراکنده شدن مواد غذایی و مرطوب ماندن غذا استفاده نمایید.

مواردی که باید از آنها برای استفاده درون آون مایکروویو اجتناب نمود

موارد	ملاحظات
سینی آلومینیومی	ممکن است باعث ایجاد قوس الکتریکی و جرقه شود. مواد غذایی را از این نوع سینی‌ها به یک سینی مناسب برای آون مایکروویو منتقل کنید.
بسته‌ی مواد غذایی با دستگیره‌ی فلزی	ممکن است باعث ایجاد قوس الکتریکی و جرقه شود. مواد غذایی را از این نوع سینی‌ها به یک سینی مناسب برای آون مایکروویو منتقل کنید.
لوازم فلزی یا لوازم دارای قطعات فلزی	فلز، مانع از رسیدن امواج دستگاه به مواد غذایی می‌شود. قطعات فلزی ممکن است باعث ایجاد قوس الکتریکی و جرقه گردند.
گیره‌های فلزی	ممکن است باعث ایجاد قوس الکتریکی و آتش‌سوزی شود.
پاکت‌های کاغذی	ممکن است باعث آتش‌سوزی در آون شوند.
فوم پلاستیکی	فوم پلاستیکی ممکن است با رسیدن به دمای زیاد، ذوب شده و مواد غذایی درون دستگاه را آلوده کند.
لوازم چوبی	لوازم چوبی با قرار گرفتن در آون مایکروویو خشک شده و ممکن است ترک خورده یا بشکند.

راه‌اندازی آون

اسامی قطعات و لوازم آون

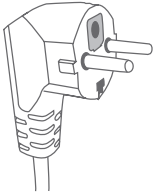
آون و همه‌ی لوازم را از درون جعبه و محفظه‌ی آون خارج نمایید.

آون شما دارای لوازم زیر است:

سینی شیشه‌ای	یک عدد
حامل صفحه‌گردان	یک عدد
دفترچه‌ی راهنما	یک عدد

مواردی که می‌توانید از آنها در آون مایکروویو استفاده نمایید

موارد	ملاحظات
فویل آلومینیومی	تنها برای پوشاندن سطح استفاده شود. تکه‌هایی کوچک و صاف می‌توانند برای پوششش دادن قسمت‌های نازک گوشت قرمز یا گوشت ماکیان استفاده شود و مانع از پخت بیش از حد آنها گردد. چنانچه فویل به دیواره‌های آون خیلی نزدیک باشد ممکن است باعث ایجاد جرقه گردد. فویل باید حداقل ۲/۵ سانتی‌متر از دیواره‌های آون دور باشد.
ظرف برای برشته‌کردن	از دستورالعمل‌های شرکت فلر پیروی نمایید. ته ظرف برشته‌سازی باید حداقل ۵ میلی‌متر بالاتر از سینی دوار باشد. استفاده‌ی غیر درست باعث شکسته‌شدن سینی دوار می‌شود.
ظرف غذاخوری	تنها از ظروفی استفاده نمایید که برای قرار گرفتن در مایکروویو ایمن باشند. از دستورالعمل‌های شرکت فلر پیروی نمایید. از ظروف ترک خورده یا شکسته استفاده نکنید.
ظروف شیشه‌ای مواد غذایی	همواره درپوش را بردارید. فقط تا زمانی آن را حرارت دهید که غذا، گرم شود (داغ نشود). بسیاری از ظروف شیشه‌ای مواد غذایی در برابر حرارت مقاوم نیستند و خواهند شکست.
ظروف بلورین	تنها از ظروف بلورین مقاوم در برابر حرارت آون استفاده نمایید. مطمئن شوید که هیچ جسم تیزنی فلزی روی آن وجود ندارد. از ظروف ترک‌خورده یا شکسته استفاده نکنید.
کیسه‌های طبخ غذا	از دستورالعمل‌های شرکت فلر پیروی نمایید. آن‌ها را با مواد فلزی نبنیدید. برای خارج شدن بخار، روی آن چند شکاف ایجاد نمایید.
بشقاب‌ها و فنجان‌های مقوایی	تنها به منظور طبخ یا گرم‌کردن مواد غذایی برای مدت زمان کوتاهی استفاده نمایید. در حین طبخ، آون را به حال خود رها نکنید.
کاغذ جاذب چربی	برای پوشاندن غذا به منظور گرم کردن مجدد و جذب چربی استفاده نمایید. با نظارت و در مدت زمان کوتاهی از آن استفاده نمایید.
کاغذ روغنی مخصوص سرخ کردن	به عنوان پوششی برای جلوگیری از ترشح مواد غذایی یا بسته نگه‌داشتن بخار استفاده نمایید.
ظروف و فنجان‌های پلاستیکی	تنها از نوع قابل مصرف در مایکروویو استفاده کنید. از دستورالعمل‌های شرکت فلر پیروی نمایید. این پلاستیک‌ها باید حتما دارای برچسب «Microwave Safe» (ایمن برای استفاده در مایکروویو) باشند. بعضی ظروف پلاستیکی، با گرم شدن غذا، نرم می‌شوند. در کیسه‌های مخصوص جوشاندن و کیسه‌های پلاستیکی که بسیار محکم بسته شده‌اند باید شکاف یا روزنه‌هایی ایجاد کرد.



دوشاخه با پایه‌های
استوانه ای

- مطمئن شوید که دوشاخه‌ی دستگاه را از پریز برق جدا نموده‌اید.
- با استفاده از یک پارچه‌ی نمناک و نرم، درون دستگاه را تمیز نمایید.
 - لوازم دستگاه را بطور معمول و با آب و مایع شوینده تمیز نمایید.
 - چارچوب در و قسمت درزگیر و قطعات مجاور، باید با یک پارچه‌ی نمناک و به دقت تمیز گردد.

⚠ احتیاط: خطر صدمه‌ی فردی

برای هر فرد، به جز افراد مرکز خدمات پس از فروش شرکت فلر، خطرناک خواهد بود که هرگونه اقدام یا فعالیت تعمیراتی را که شامل برداشتن پوشش دستگاه و قرار گرفتن در معرض امواج مایکروویو است، انجام دهد.

دستورالعمل‌های قسمت « مواردی که می‌توانید در آن مایکروویو استفاده نمایید » یا « مواردی که باید از آنها برای استفاده درون آن مایکروویو اجتناب نمود » را ببینید. ممکن است لوازم غیر فلزی وجود داشته باشند که استفاده‌ی آنها درون مایکروویو ایمن نباشد. چنانچه تردید دارید، می‌توانید آنها را طبق رویه‌ی زیر بیازمایید

آزمودن لوازم:

- درون ظرفی که برای قرار دادن درون مایکروویو ایمن است ۱ فنجان آب سرد بریزید و درکنار وسیله‌ی مورد نظر خود بگذارید.
- با حداکثر توان و به مدت ۱ دقیقه آن را طبخ نمایید.
- وسيله را با احتیاط لمس کنید. چنانچه وسیله گرم شده، آن را برای آشنیزی در مایکروویو استفاده نکنید.
- زمان پخت نباید از ۱ دقیقه بیشتر شود.

۳۱. برای تمیز کردن در شیشه‌های آون از مواد شوینده‌ی ساینده یا پاک‌کننده‌های فلزی برنده استفاده نکنید زیرا می‌توانند سطح را خراش داده و باعث شکسته شدن شیشه گردند.

۳۲. دستگاه در زمان استفاده داغ می‌گردد. بایستی مراقب بود و المنت‌های درونی آون را لمس نکرد.

۳۳. تنها از دماسنج پیشنهاد شده برای این دستگاه، استفاده نمایید. (برای آون‌هایی که دارای قابلیت استفاده از دمایاب را دارند.)

کاهش خطر صدمه دیدن افراد و اتصال به زمین (ارت کردن)



خطر برق‌گرفتگی

لمس کردن بعضی از اجزاء داخلی می‌تواند باعث ایجاد خطرات شدید فردی یا مرگ گردد. قطعات این دستگاه را جدا نکنید.

خطر برق‌گرفتگی: عدم استفاده‌ی مناسب از سیم اتصال به زمین ممکن است باعث برق‌گرفتگی شود. دوشاخه را به پریز برق متصل نکنید، مگر اینکه دستگاه به‌خوبی نصب و سیم ارت آن متصل شده باشد.



هشدار

این دستگاه باید به سیم اتصال به زمین نصب گردد (ارت شود). در زمان وقوع اتصال کوتاه در مدار الکتریکی، اتصال به زمین (ارت)، خطر برق‌گرفتگی را با یک رشته سیم برق اضطراری کاهش می‌دهد. این دستگاه به سیم برق ارت شده مجهز است. دوشاخه باید به پریز برقی که بطور مناسب نصب و ارت شده وصل گردد. چنانچه دستورالعمل‌های مربوط به ارت کردن را به‌طور کامل درک نکرده یا اینکه در ارت شدن دستگاه دچار تردید شدید، با مرکز خدمات پس از فروش شرکت فلر مشورت نمایید. اگر لازم است که از سیم برق بلند استفاده کنید، فقط از سیم برق ۳ رشته استفاده نمایید. ۱. برای این دستگاه، سیم برق کوتاهی فراهم شده تا خطرات ناشی از درهم پیچیدن یا لغزیدن سیم بلندتر را کاهش دهد.

۲. چنانچه سیم برق بلندتری استفاده می‌شود:

الف) بایستی درجه‌ی الکتریکی سیم برق بلند، حداقل به اندازه‌ی درجه‌ی الکتریکی سیم دستگاه باشد.

ب) سیم برق بلند باید ارت شده و ۳ رشته باشد.

پ) سیم برق بلند بایستی مرتب باشد تا روی پیشخوان یا سطح میز پخش نشود و ناخواسته، توسط کودکان کشیده یا لغزیده نگردد.

- یا حتی پس از اتمام کار مایکروویو گرم نمود زیرا ممکن است منفجر شوند.
- ۱۵.** از این دستگاه تنها برای مقاصد ذکر شده در دفترچه‌ی راهنما استفاده نمایید. از مواد شیمیایی خورنده یا بخار گازها در این دستگاه استفاده نکنید. این دستگاه مختص گرم نمودن است و برای مصارف آزمایشگاهی یا صنعتی طراحی نشده است.
- ۱۶.** چنانچه سیم برق دستگاه آسیب دید، بایستی توسط مرکز خدمات پس از فروش شرکت فلر تعویض شود تا از بروز خطر اجتناب گردد.
- ۱۷.** از این دستگاه در فضای باز استفاده نکنید.
- ۱۸.** از این دستگاه در نزدیکی آب، در مکانی نمناک یا در نزدیکی استخر استفاده نکنید.
- ۱۹.** در زمان عملکرد دستگاه، دمای سطوح در دسترس می‌تواند زیاد باشد. سیم برق را از سطوح داغ دور نگه دارید و روی آون را با چیزی نپوشانید.
- ۲۰.** اجازه ندهید سیم برق از لبه‌ی میز یا پیشخوان آویزان گردد.
- ۲۱.** عدم نگهداری آون در شرایط پاکیزه، ممکن است باعث از بین رفتن سطح دستگاه، اثرگذاری معکوس در طول عمر دستگاه و بروز نتیجه‌ی خطرناک شود.
- ۲۲.** محتویات شیشه شیر کودک و شیشه‌ی غذای کودکان را باید پیش از استفاده مخلوط کرده و دمای آن را کنترل نمود تا باعث سوختن دهان کودک نشود.
- ۲۳.** گرم کردن مایعات با مایکروویو، باعث می‌شود مایعات پس از بیرون آورده شدن از دستگاه، درحالی‌که ظاهراً گرم به نظر نمی‌آیند، ناگهان به جوش آیند. بنابراین در زمان حمل کردن آنها مراقب باشید.
- ۲۴.** این دستگاه برای استفاده توسط افراد (یا کودکان) معلول، ناتوان ذهنی یا حسی و فاقد تجربه و دانش مناسب نیست؛ مگر آنکه توسط فرد دیگری که مسئول ایمنی آنهاست تحت نظر قرار گرفته یا آموزش ببینند.
- ۲۵.** کودکان بایستی تحت نظارت قرار گیرند تا اطمینان حاصل شود که با دستگاه بازی نمی‌کنند.
- ۲۶.** آون مایکروویو نبایستی درون قفسه‌ی آشپزخانه قرار گیرد، مگر اینکه دستگاه در کابینت آزمایش گردد.
- ۲۷.** این دستگاه‌ها به منظور عملکرد با یک زمان‌سنج خارجی یا سامانه‌ی کنترل از راه دور مجزا ساخته نشده‌اند.



۲۸. هشدار: به منظور اجتناب از خطر برق‌گرفتگی احتمالی، اطمینان حاصل کنید که دستگاه پیش از تعویض لامپ، خاموش است.

- ۲۹.** در زمان استفاده، قطعات در دسترس ممکن است داغ شوند. کودکان بایستی از دستگاه دور نگه داشته شوند.
- برای تمیزکاری دستگاه نمی‌توان از بخارشوی استفاده نمود.
- ۳۰.** سطح کشوی ذخیره سازی می‌تواند داغ گردد.

**هشدار**

در زمان استفاده از دستگاه و به منظور کاهش خطرات آتش سوزی، برق گرفتگی، صدمات شخصی یا قرار گرفتن در معرض امواج دستگاه، اقدامات پیشگیرانه و مقدماتی زیر را انجام دهید:

۱. **هشدار:** نباید مایعات و سایر مواد غذایی در ظروف در بسته حرارت داده شوند زیرا ممکن است منفجر شوند.
۲. **هشدار:** برای هر کس، بجز افراد متخصص مرکز خدمات پس از فروش شرکت فلر، بازکردن پوشش محافظ امواج دستگاه امری خطرناک خواهد بود.
۳. **هشدار:** تنها زمانی به کودکان اجازه دهید بدون نظارت شما با دستگاه کار کنند که آموزش‌های کافی به آنها داده شده باشد، چنانکه کودک بتواند بطور ایمن با دستگاه کار کرده و متوجه خطرات ناشی از استفاده‌ی نامناسب باشد.
۴. **هشدار:** زمانی که دستگاه در حالت ترکیبی مورد استفاده است، به دلیل دمای ایجاد شده، کودکان بایستی تحت نظارت والدین از آن استفاده نمایند. (فقط در مدل گریل)



۵. تنها از لوازمی که برای بکاربردن در آون مایکروویو مناسب‌اند، استفاده نمایید.
۶. آون بایستی بطور منظم تمیز شده و تمام پسماندهای مواد غذایی را از آن خارج نمود.
۷. **مطالب قسمت « اقدامات پیش‌گیرانه برای اجتناب از قرارگرفتن در معرض امواج دستگاه » را مطالعه و اجرا نمایید.**
۸. در زمان گرم کردن مواد غذایی در ظروف پلاستیکی یا کاغذی، آون را بطور کامل مورد نظارت قرار دهید زیرا احتمال مشتعل شدن آنها وجود دارد.
۹. چنانچه هر گونه دودی مشاهده شد، دستگاه را خاموش نموده و دوشاخه را از پریز برق جدا نمایید. در دستگاه را بسته نگه دارید تا شعله فروکش کند.
۱۰. غذا را بیش از حد، طبخ نکنید.
۱۱. از محفظه‌ی آون برای ذخیره کردن چیزی استفاده نکنید. اقلامی مانند نان، شیرینی و ... را درون آون نگهداری نکنید.
۱۲. پیش از قرار دادن ظروف پلاستیکی یا کاغذی درون آون، بندهای پیچیده شده یا دستگیره‌های فلزی را از آنها جدا نمایید.
۱۳. آون را تنها مطابق با دستورالعمل موجود در این دفترچه‌ی راهنما، نصب نمایید.
۱۴. تخم‌مرغ‌هایی که با پوست هستند یا کامل پخته شده‌اند را نباید در آون مایکروویو،

MW 280

پیش از استفاده، لطفاً دفترچه‌ی راهنما را به دقت بخوانید.
این دستگاه فقط برای استفاده‌ی خانگی است.

اقدامات پیش‌گیرانه برای اجتناب از قرارگرفتن در معرض امواج دستگاه

الف) دستگاه را با در باز به کار نیندازید زیرا این امر ممکن است باعث قرار گرفتن در معرض امواج زیان‌بار آن شود. به هیچ‌وجه به نقاط اتصال ایمنی قطعات آسیب نرسانده و آنها را نشکنید.

ب) چیزی بین قسمت جلویی آون و در آن قرار ندهید و مانع از انباشته‌شدن آلودگی یا بازمانده‌ی مواد شوینده روی سطوح درزگیر شوید.



پ) هشدار: چنانچه در یا درزگیرهای آن آسیب دید، نباید از دستگاه استفاده کرد مگر اینکه توسط مرکز خدمات پس از فروش شرکت فلر تعمیر گردد.

ضمیمه

چنانچه دستگاه و لوازم آن تمیز نباشند، سطح آن از بین رفته و بر طول عمر دستگاه و لوازم آن اثر گذاشته و منجر به ایجاد شرایط خطرناک می‌گردد.

مشخصات فنی دستگاه

ولتاژ/فرکانس: ۲۳۰ ولت/۶۰-۵۰ هرتز
توان ورودی (مایکروویو): ۱۲۵۰ وات
توان خروجی (مایکروویو): ۸۰۰ وات
توان ورودی (گریل): ۱۰۰۰ وات
ظرفیت آون: ۲۰ لیتر
قطر صفحه گردان: ۲۴۵ میلی‌متر
ابعاد: ۴۶۱×۳۷۵×۲۸۰ میلی‌متر
وزن خالص: حدود ۱۲,۴۶ کیلوگرم

Germany
Feller



MW 280 GW



مايکروویو اُون