

Germany  
**Feller**



SP 70 WD

**Steam  
Press**

Please read this manual carefully before using and keep it safely for further reference

## FEATURES OF THE MACHINE

1. Saving time and strength: This steam press has a pressing surface that is seven times larger than most hand-held irons, and with pressure of 100 pounds enable us to iron the clothes faster;
2. Modern style: Soft touch control, Voice instructions function, Multi-function display screen.
3. Wide Application: Strong steam and wide scope of temperature setting (60°C-200°C) ensures the ironing of clothes made by all kinds of fabrics and with no iron-shine area left.
4. Easy to handle: It's possible to iron while sitting or standing.
5. Safe and reliable: Microcomputer temperature control mode may prevent the clothes from being spoiled by overheat of the ironing board.

## POWER SUPPLY INDEX

Power:..... 1600W  
 Voltage: ..... 220V~50/60Hz  
 Your power supply must according to the label of the machine.

## IMPORTANT SAFEGUARDS

When using your steam press, the following safety precautions should be followed:

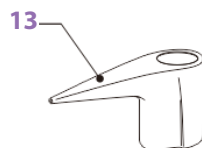
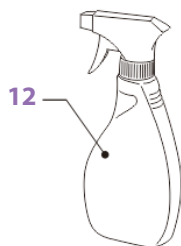
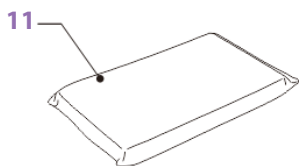
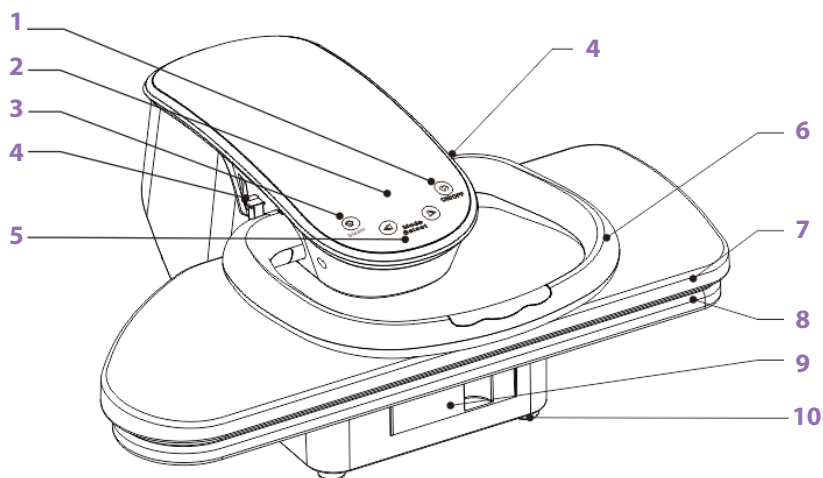
1. Use this press only for its intended use.
2. Before plugging in, be sure that the electrical information of the label on the bottom of the machine agrees with your power supply.
3. To protect against risk of electrical shock, do not immerse the press in water or other liquids.
4. The press should always be turned OFF before plugging into or unplugging from electrical outlet.
5. Do not allow cord to touch hot surface. Loop cord loosely and store it in base of the press, let the press cool down completely (at least 30 minutes) before putting it away.
6. Always disconnect press from an electrical outlet when not in use.

**7.** Do not operate the press with a damaged cord or if the press has been dropped or damaged. To avoid the risk of electric shock do not disassemble the press by unprofessional person, pls take it to after sale service centre of Feller for test and any repair.

**8.** Do not operate another high wattage appliance on the same circuit or main outlet.

**9.** Be careful, burns can occur from touching hot metal parts, hot water or steam.

**10.** Use only distilled water in the appliance. Do not use perfumed products containing alcohol in the device.



## PARTS IDENTIFICATION AND USAGE

### 1. SOFT TOUCH POWER KEY:

To make the press power On or Off, touch the (ON/OFF) key, when it is on, the display LCD lights up.

### 2. CONTROL PANEL DISPLAY:

This operation display shows the current functions of the press.

### 3. STEAM KEY

Under the default condition of the device the steam function will be automatically started when the press is on,If you don't need steam,please press the ( ) key until the display shows( ).

### 4. LOCKING KEY.

Lower the pressing plate to the lowest position and press left and right locking switch to lock the pressing plate and ironing board together. Lifting the switch will unlock these two items.

## NOTICE



In order to lock the device,you must press down the ironing board,hold down the handle of the pressing plate,and then press the locking switch

### 5. TEMPERATURE MODE BUTTON.

Using this button,you can set up the suitable temperature for the object you desire to iron.

### 6. HANDLE:

- The handle is used for lifting and lowering the pressing plate by hand.
- When the handle is pressed down to the lowest position,the ironing pressure will be the highest
- When the pressing plate and ironing board are locked,the device can be lifted by the handle.

### 7. PLESSING PLATE

It's the surface on which the temperature can be controlled for both heating and ironing the clothes.

### 8. IRONING BOARD

This plate which has a soft pad is used for supporting the clothes during ironing,it's face has a cloth which can be removed for cleaning.

### 9. WATER TANK

This tank is used for storage of water needed for steaming.It can be taken out for water refilling.

### 10. BASE

The base is used for stable placement of this ironing machine.

### 11.SOFT PAD

The soft pad is used for the parts with crimple and curve shape,such as sleeve,concealed line and yoke.

### 12.SPRAYER

This plastic water bottle is used for dampening the fabric before pressing. (If necessary)

### 13.WATER JUG

It is used for filling water into the water tank.

## IMPORTANT NOTES

1. During ironing process the locking switch must be in the start position. When the pressing plate is pressing down or lifting up, your hand should not leave the handle and a slight force be given to make it's face upward automatically in a very slow way.
2. Since this ironing machine has an "Automatic Shut Down Safety Switch", it adopts an electronic temperature control pattern, it will adjust the temperature of the ironing plate automatically and control the temperature within the required (preset) range.
3. Under the ironing state, when the temperature of the pressing plate lower or higher than setting, there is a voice instruction that "IRON IS NOT READY, PLEASE WAIT A MOMENT", and will flashes the indication light; When the temperature achieve the setting, there is a voice instruction that "IRON IS READY", the indication light on and stop flashes.
4. When the ironing plate is pressed down for 15 minutes, the device will shut down automatically with the voice instruction that "OVERTIME PRESSING, PLEASE RELEASE THE PRESSING BOARD"
5. When the machine is in the standby mode for more than 15 minutes, the device will shut down to stop heating automatically with voice instruction that "OVERTIME NO OPERATION, MACHINE NOW AUTO SHUT-OFF".

## OPERATION OF THE DEVICE

Before operating the device, please pay much attention to the following important suggestions.

### 1. BEFORE INSERTING THE POWER CORD

- It is required to check if the voltage indicated in the base of the machine is identical to the voltage of the power you are using.
- Always place the device in a stable surface.

### 2. WATER FILLING

- Before water filling, cut off the power supply.
- Draw out the water tank under the base half way, fill the water into the water jug, and then fill the water into the water tank; or pull out the water tank completely for direct water filling.

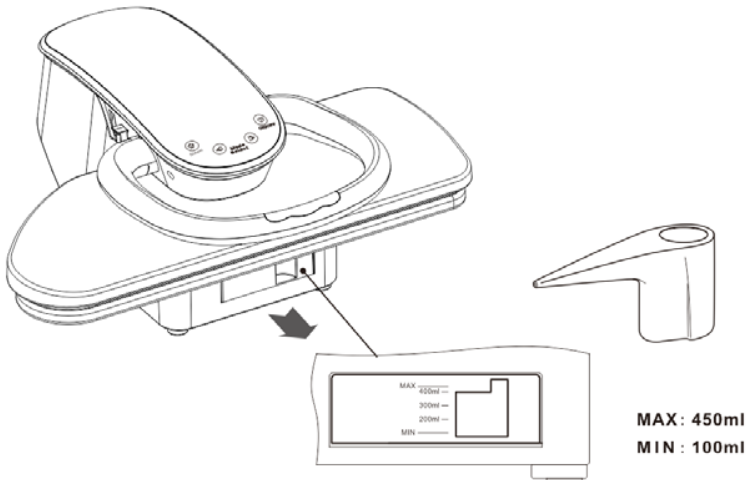
Normally it is required to fill in 450ml water, and then push the water into the base (the water tank shall be pushed into the base completely).



There is filtration sponge on inlet of water tank and water shall be filled in slowly.

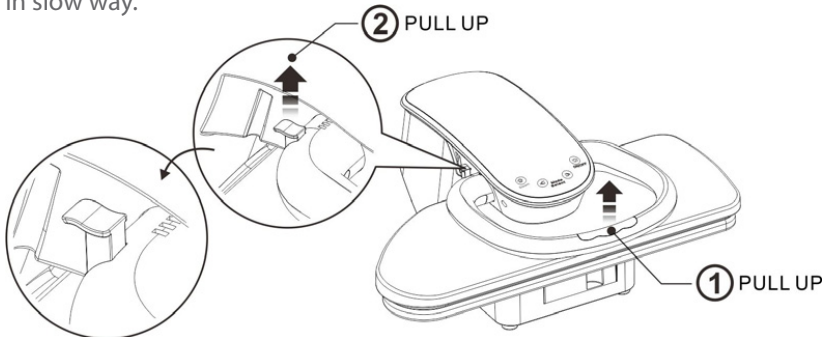
### EMPTYING THE WATER TANK.

If there is only a small amount of water in the tank, continue to steam on an old towel or piece of fabric until all the water is gone. If there is a lot of water left in the tank, remove the lid from the spray bottle and gently pull out the water container half way and insert the tube into the tank and then syphon off the water into a suitable container.



### 3-STARTING THE MACHINE

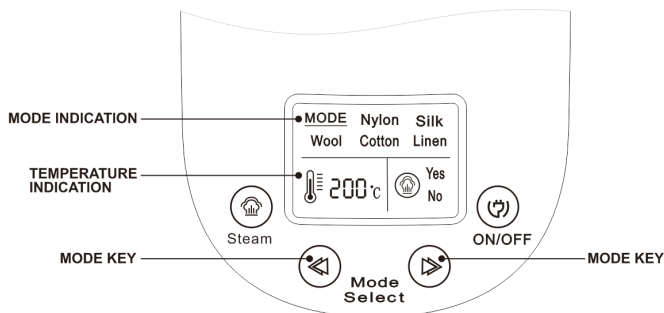
• Hold down the handle of the pressing plate and pull out the locking key. Then shake the handle lightly to make the locking key retreat and the pressing plate separate from ironing plate. The hand shall not leave the handle and slight force shall be given to make it face upward automatically in slow way.



- Insert the plug into the power socket and press (ON/OFF) key,When the LED of the operation display lights up,it means the power is connected.

#### 4. TEMPERATURE SELECTION AND CONTROL

- When the selected mode flashes continuously,press mode selection key to choose the mode.Compare clothes mark with the textile list.If fabric composition and content cannot be confirmed, a relatively lower temperature content can be firstly set,and then increase gradually up to an ideal result. After several minutes, the selected mode will stop flashing, which means the pressing plate has reach the tmperature you have chosen. Then you can start ironing.



- When the ironing machine is conducting the first heating,the selected mode will flash.When the selected mode stops flashing,it means the pressing plate has reached the temperature you have set and the ironing will have one voice instruction that "IRON IS READY". When the temperature of the pressing plate is lowered beyond the set temperature range,the ironing machine will be restarted heating.At this moment,the selected mode will flash and with voice instruction that "IRON IS NOT READY,PLS WAIT A MOMENT". When it stops,you can start ironing again.

- If you need to reduce the temperature,let the electronic ironing machine cool down firstly.Set the new temperature,after the selected mode stops flashing,you can start ironing once again.



#### NOTE

We recommend you to iron the textile requiring lower temperature first, and then iron the textile requiring higher temperature.



#### NOTICE


In case of over temperature,the machine will make one voice instruction.

Model	Nylon	Silk	Wool	Cotton	Linen
Temp	80°C	110°C	150°C	170°C	190°C
Material	Acetoxoy Ester Nylon	Silk	Wool Polyester Rayon	Cotton	Linen Fabrics

## 5. STEAM CONTROL


### NOTICE

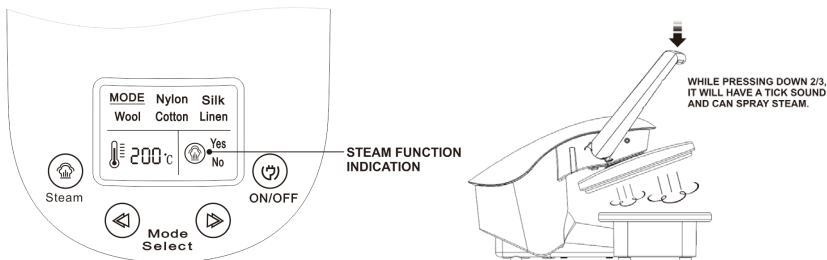
before using the steam ironing, it is necessary to check if there is any water in the water tank. in case of no water, please fill the tank firstly.

- Under default starting state, steam spraying function is activated. After about 6-7 minutes of starting, if the light of (  YES ) indicates "YES", it has reached the temperature for steam generation and have one voice instruction that "STEAM IS READY, PLS START OPERATION". After pressing down the handle slowly, you will hear a tick sound that means the steam will be sprayed soon. You can repeat this action if you want to achieve the spraying result you desire.

### NOTICE

In order to achieve a good result, please pause for 1-2 seconds every time, and then repeat steam spraying action. If steam functions are frequently used, there may be water dripping with the pressing plate.

- When steam function is not required, press (  NO ) The display indicates, meaning that the steam spraying function is switched off.





## 6. IRONING



### CAUTION

while placing the clothes to be ironed,take care not to touch your hands with the pressing plate to avoid scalding.

spread the parts to be ironed on the ironing board and iron all the unnecessary creases.

### DRY IRONING

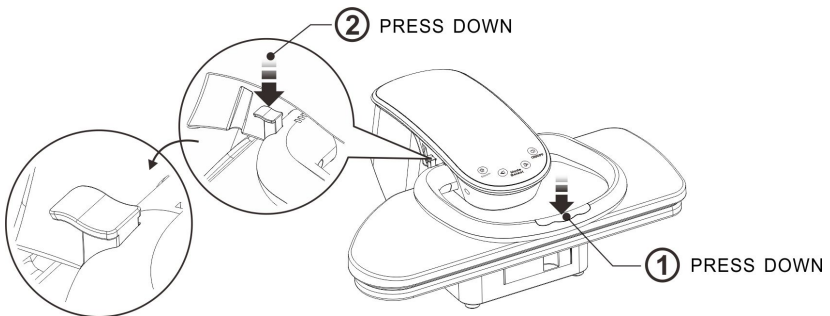
Catch hold of the handle of the pressing plate.Press down the pressing plate to touch the clothes on the ironing plate.At the moment,you can make the pressing plate stay in this position for slight ironing or press down the pressing plate to the lowest position with force if pressure is required to be increased.After several seconds,pull the handle up to raise the pressing plate.

### STEAM IRONING

In order to increase steam spraying to iron stubborn creases,it is required to adjust the temperature to Wool Level or the higher.When the selected mode and the function light,stop flashing,press down the handle.When you hear a tick sound,the steam will be sprayed on the clothes and you can press down the pressing plate for forced steam ironing.

## 7. AFTER IRONING IS FINISHED

After the power switch key is pressed and the operation display goes out,pull out the plug from the mains supply.If the machine is to be stored for a period of time,it is required to wait for several minutes to let the device cool down.Press the pressing plate down to the ironing plate and at the same time,press down the locking switch to prevent the pressing plate from opening when the machine is being moved or stored.



## PRESSING SUGGESTIONS

### BUTTONS, ZIPPERS AND ETC.

Most of today's buttons, zippers and other notions require no special attention; But some may be sensitive to heat. Be careful with the items that may melt. Place these items face down on the ironing board or cover with a press cloth before pressing.

### ADDITIONAL STEAM PRESSING METHODS

- Using the spray bottle, lightly spray entire garment before placing it on the ironing board or spray the area to be pressed by water after it is positioned for pressing.
- Place a damp cloth over the area to be pressed. In either case, press for a few seconds and then raise the pressing plate to allow steam to escape. Repeat this task until the fabric is dry.

## USING THE PRESSING CUSHION

Curved seams and shoulder caps are not intended to be pressed flat. A pressing cushion has been supplied with your press for use in such areas. Use the cushion in areas where no creases are desired or to shape tailored garments.

When you want to use cushion:

- Place the area of the cloth to be pressed on the ironing board.
- Place the pressing cushion under the dart, curved seam, etc.
- Using the handle, lower the pressing plate slowly. Since the cushion area is raised, it is the only area which the plate will contact.
- Raise the pressing plate after a few seconds.

## NOTICE



the pressing plate and the ironing board can not be locked for the maximum pressure when using the pressing cushion. Attempting to lock into maximum pressure position, can damage your press.

## PRESSING APPLICATIONS



use the following suggestions when pressing different types of clothes:

### LARGE PIECES OF FABRICS

When pressing large pieces of fabric, place the entire piece in the storage area behind the ironing board. The area you want to press first should be on top.

### SHIRTS AND BLOUSES

- Place the shoulder yoke on the ironing board first, face down and press.
- Place the sleeves on the board with folds parallel to the long edge and then press.
- Place the cuffs on the end of the ironing board and press.
- Place the shirt into the storage area and press the side front including the pocket. Then pull the shirt towards you and position the next area. Continue until the body of the shirt is pressed.
- Place the shoulder yoke, flat on the board. Press to remove the crease.
- Place the collar right side up on the board and press.

### PANTS

- Place the pressing cushion under waistband and press. Then reposition it and continue until the entire waistband is pressed.
- To press the inseam, place the cushion under the area to be pressed and press the entire inseam. Repeat it for the other leg.
- Front and back pleats are pressed using the same method. Fold on the leg along the creased line. Place it on the board, so that the seams will not be pressed. Press the crease.

### PLEATED SKIRTS

- Place the pressing cushion under waistband and press. Then reposition the waistband, and continue around the skirt until the entire waistband is pressed.
- Place the pleated areas on the ironing board. Fold the pleats carefully and press.



### NOTES

for pressing the dresses, use the pressing cushion. In order to press the embroidery, place it face down on the ironing board and then press.

### CLEANING AND MAINTENANCE

- To clean the pressing plate:

Place the pressing cushion in the center of the ironing board and place a clean towel over the pressing cushion. If the "STEAM" mark on the operation display indicates "YES", it will reach the temperature for steam generation. After pressing down the handle slowly, you will hear a tick sound, meaning that it will spray out steam soon.

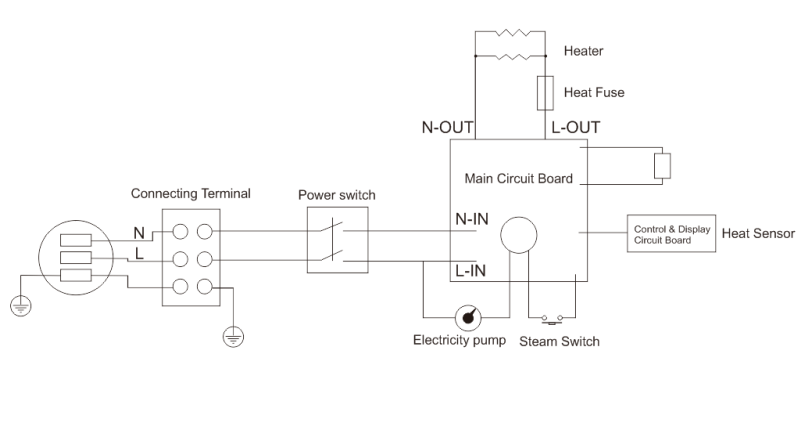
- Clean the pressing plate regularly with a damp cloth. Do not use any abrasive cleaners.
- You can easily remove the ironing board cover for washing.

## FAULT RESOLUTION

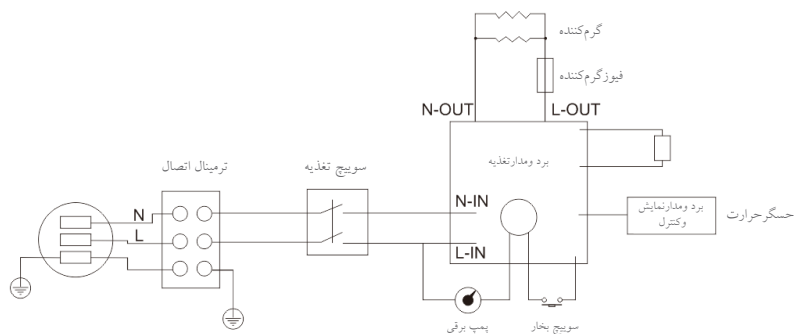


PROBLEM	CAUSE	SOLUTION
Can not open the pressing plate.	The locking switch is in lock position.	Pull the locking switch up.
The device is heated, but can not iron the creases.	The temperature is not set to enough value.	Increase the temperature for the best result.
The device is heated.	<ul style="list-style-type: none"> <li>• The temperature has not been set.</li> <li>• The plug has not been inserted into the socket.</li> <li>• The pressing plate and the ironing board are not pressed together.</li> <li>• The device has reached the set temperature and has shut down automatically.</li> </ul>	<ul style="list-style-type: none"> <li>• Rotate the temperature knob to set the proper temperature.</li> <li>• Insert the plug into a socket.</li> <li>• Pull up the pressing plate and press the power key.</li> <li>• Set the temperature of the pressing plate to lower degree.</li> </ul>

PROBLEM	CAUSE	SOLUTION
<p>No steam is generated.</p>	<ul style="list-style-type: none"> <li>• There is little water in the tank.</li> <li>• Steam spraying function is not activated.</li> <li>• The temperature control is not properly set. Or temperature has not reached steam spraying temperature.</li> </ul>	<ul style="list-style-type: none"> <li>• Fill water into the water tank.</li> <li>• Press "STEAM" key to indicate "YES"</li> <li>• Set the mode to "wool" and steam after "YES"</li> </ul>
<p>Water dripping is found in the pressing plate.</p>	<p>Steam is used continuously and frequently.</p>	<p>Wait for the device re-heat</p>
<p>The handle of the pressing plate can not reach the maximum pressure.</p>	<p>The fabric being ironed is too thick, or pressing cushion is used.</p>	<p>Light pressure shall be made for thick article.</p>



راه حل	علت	مشکل
<ul style="list-style-type: none"> <li>• مخزن آب را پر کنید</li> <li>• دکمه‌ی بخار را فشار دهید تا «بله» ظاهر شود</li> <li>• دستگاه را روی حالت «پشم» تنظیم نموده و پس از روشن شدن «بله» از بخار استفاده کنید</li> </ul>	<ul style="list-style-type: none"> <li>• آب کمی در مخزن وجود دارد</li> <li>• کارکرد افشاندن بخار عمل نمی‌کند</li> <li>• دما روی مقدار مناسبی تنظیم نشده یا دما به میزان لازم برای افشاندن نرسیده است</li> </ul>	بخار تولید نمی‌شود
برای گرم شدن مجدد دستگاه، صبر کنید	از بخار بطور مستمر و طولانی مدت استفاده شده است	روی صفحه نشت آب وجود دارد
برای این نوع لباس ها باید فشار کمی استفاده شود	پارچه‌ی در حال استفاده خیلی ضخیم است یا بالش دستگاه مورد استفاده قرار گرفته است	دسته‌ی صفحه به بیشترین میزان فشار نمی‌رسد





## توجه

برای اتوکردن لباس‌ها از بالش دستگاه استفاده کنید. به منظور اتوکردن گلدوزی‌ها، آنها را به پشت برگردانید.

## تمیزکاری و نگهداری

- برای تمیز کردن صفحه‌ی دستگاه:
- بالش دستگاه را در مرکز صفحه اتو قرار دهید و حوله‌ای تمیز روی بالش بگذارید. اگر نشان بخار روی صفحه نمایش عملکرد «بله» را نشان داد، به دمای لازم برای تولید بخار رسیده‌است. بعد از به آرامی فشار دادن دسته، صدایی شبیه تیک خواهید شنید که: «بخار بزودی به بیرون افشاند خواهد شد».
- صفحه‌ی اتو را بطور منظم با پارچه‌ای نمناک تمیز کنید. از هیچ شوینده‌ی زبر و ساینده برای این امر استفاده نکنید.
- می‌توانید به راحتی پوشش صفحه اتو را برای تمیز کردن جدا کنید.

## برطرف نمودن ایرادها

مشکل	علت	راه حل
نمی‌توان صفحه را باز کرد	قفل فعال است	قفل را بالا بکشید
وسیله گرم است ولی نمی‌توان خط اتو را اتو کرد	دما در مقدار لازم تنظیم نشده‌است	دما را برای داشتن نتیجه‌ای بهتر افزایش دهید
دستگاه گرم نیست	<ul style="list-style-type: none"> <li>• دما تنظیم شده نیست</li> <li>• سیم برق به پریز متصل نیست</li> <li>• صفحه دستگاه و صفحه اتو به هم فشرده نمی‌شود</li> <li>• دستگاه به دمای تنظیم شده می‌رسد و بطور خودکار خاموش می‌شود</li> </ul>	<ul style="list-style-type: none"> <li>• دکمه‌ی تنظیم دما را برای تنظیم دمای مناسب بچرخانید</li> <li>• سیم برق را به پریز متصل کنید</li> <li>• صفحه دستگاه را بالا آورده و کلید روشن و خاموش را فشار دهید</li> <li>• دمای صفحه را روی درجه‌ای کمتر تنظیم کنید</li> </ul>



در زمان استفاده از بالش و با فشار بیشینه، صفحه دستگاه و صفحه‌ی اتو نمی‌توانند قفل شوند.

سعی در قفل نمودن آنها ممکن است باعث آسیب دیدن دستگاه شما شود.

## بکاربردن فشار

در زمان اتوکشی گونه‌های مختلف لباس، از پیشنهادهای زیر استفاده نمایید:

### تکه‌های بزرگ لباس

در زمان اتوکشی لباس‌های بزرگ، مناطقی که هنوز به روی میز نرسیده‌اند را پشت دستگاه قرار دهید. منطقه‌ی مورد کار باید بالا باشد.

### پیراهن‌ها و بلوزها

- ابتدا شانه‌ها را روی صفحه اتو و رو به پایین قرار دهید.
- آستین‌ها را بطور موازی روی میز قرار داده و آنها را تا حد ممکن اتو کنید.
- سردست‌های پیراهن را در قسمت انتهایی میز قرار داده و آنها را اتو کنید.
- پیراهن را پشت دستگاه قرار داده و لبه جلویی را که شامل جیب است، اتو کنید.
- سپس پیراهن را به سمت خودتان آورده و همین امر تا اتمام قسمت اصلی پیراهن ادامه دهید.
- شانه‌ی پیراهن را روی صفحه قرار داده و با استفاده از اتو، چروک‌های آن را برطرف نمایید.
- یقه را روی میز قرار داده و آن را اتو کنید.

### شلوار

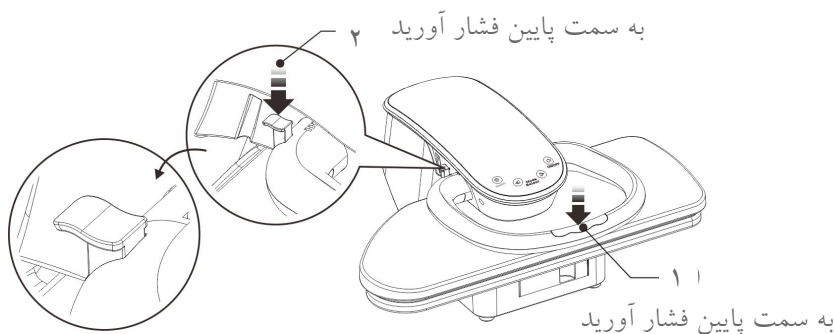
- بالش دستگاه را در زیر بند شلوار قرار داده و آن را اتو کنید؛ سپس آن را بچرخانید تا تمام بند اتو شود.
- برای اتوکردن درز شلوار، بالش دستگاه را در محل مورد نظر قرار داده و آن را اتو کنید. همین امر را ادامه دهید تا درز بطور کامل اتو شود.
- با روشی مشابه، چین‌های جلو و پشت شلوار اتو خواهند شد. پاچه‌های شلوار را از روی خط اتو، روی میز قرار داده و آنها را نیز اتو کنید.

### دامن

- بالش دستگاه را زیر بند دامن قرار دهید و آن را اتو کنید. سپس بند را بچرخانید و ادامه دهید تا تمام بند آن اتو شود.
- مناطق چین‌خورده را روی میز قرار دهید و آنها را به دقت اتو کنید.



فشار دهید تا به اتو برسد و در همین زمان قفل را به پایین فشار دهید تا مانع از باز شدن دستگاه، در زمان جابجایی آن گردد.



### پیشنادهایی برای استفاده از اتوپرسی

#### دکمه‌ها، زیپ‌ها و مانند آنها

بیشتر دکمه‌ها و زیپ‌های امروزی و مانند آنها به توجه خاصی نیاز ندارند. اما بعضی از آنها ممکن است به گرما حساس باشند. مراقب این موارد باشید زیرا ممکن است ذوب شوند. لطفاً در این گونه موارد، آنها را به داخل برگردانید یا روی آنها پارچه‌ای قرار دهید.

#### سایر روشهای استفاده از اتوپرسی

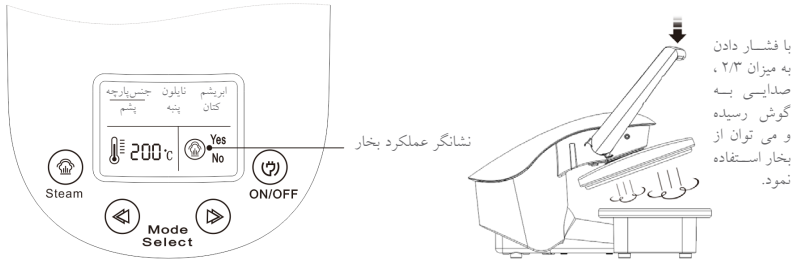
- با استفاده از بطری افشان و پیش از قرار دادن لباس‌ها روی میز، کمی روی آنها و یا میز اتو، آب بپاشید.
- پارچه‌ای مرطوب روی منطقه‌ای که باید اتو شود قرار دهید. چند ثانیه صفحه فشار دهید و سپس آن را رها کنید تا بخار خارج شود. این کار را تکرار کنید تا لباس خشک شود.

### استفاده از دستگاه برای کوسن

- پوشش‌های قسمت روی شانه و برجسته نباید صاف شوند. برای این دستگاه، بالش‌ها تامین شده است تا برای چنین مناطقی بکار رود. برای این موارد که نیاز به مسطح کردن آنها نیست، از بالش مخصوص استفاده کنید.
- در قسمتی که می‌خواهید از بالش استفاده کنید:
- منطقه‌ی مربوط از لباس را روی میز قرار دهید.
  - بالش فشاری را زیر آن قرار دهید.
  - با استفاده از دستگیره و به آرامی صفحه‌ی اتو را پایین آورید. بعد از اینکه به منطقه بالش رسید تنها در همین نقطه، تماس برقرار خواهد شد.
  - بعد از چند ثانیه صفحه‌ی اتو را بالا آورید.

شود ممکن است از صفحه‌ی اتو کمی آب خارج شود.

زمانیکه کارکرد بخار مورد نیاز نیست (NO) را فشار دهید تا صفحه نمایش (نه) را نشان دهد که به معنی خاموش بودن افشاندن بخار است.



## ۶. اتو کردن

### احتیاط



در حین قرار دادن لباس‌ها برای اتو کردن، مراقب باشید دست شما صفحه‌ی اتورا لمس نکند و مانع از ایجاد سوختگی گردد.

قطعات لباس را برای اتو کردن بر روی صفحه قرار داده و تمام چروک‌های آنها را اتو کنید.

### اتو کردن خشک (بدون استفاده از بخار)

دسته‌ی صفحه‌ی اتو را در دست نگه دارید. صفحه‌ی اتو را به سمت پایین فشار دهید تا صفحه به لباس‌ها برسد. در این لحظه شما می‌توانید صفحه‌ی اتو را نگه دارید و با فشار اندک، صفحه‌ی اتو را در صورت نیاز کمی بیشتر فشار دهید. بعد از چند ثانیه، دسته را بالا آورید.

### اتوکردن با بخار

برای افزایش دادن میزان افشان بخار بر چروک‌های شدید، توصیه می‌شود دما را روی درجه‌ی پشم یا بالاتر تنظیم کنید. زمانیکه حالت انتخاب شده و نشانگر آن روشن و سپس خاموش شد، دسته را به پایین فشار دهید. زمانیکه شما صدایی مانند تیک می‌شنوید، بخار بر روی لباس‌ها افشانده خواهد شد و می‌توانید صفحه‌ی اتو را برای اتو کردن با بخاری شدید، به سمت پایین فشار دهید.

### ۷. بعد از به پایان رسیدن اتوکشی

بعد از اینکه کلید روشن و خاموش فشار داده شد و صفحه نمایش عملیات خاموش شد، سیم برق را از پریز جدا کنید. اگر دستگاه برای مدتی نگهداری می‌شود (بدون استفاده می‌ماند) باید چند دقیقه صبر نمود تا دستگاه خنک شود. صفحه را به پایین

را تنظیم کنید و بعد از متوقف شدن نشانگر حالت انتخاب شده، می توانید اتوکردن را مجدداً دیگر شروع کنید.



### توجه

در صورت بیش از حد بودن دما، دستگاه با یک پیغام صوتی اخطار می دهد.



### توجه

پیشنهاد می کنیم که ابتدا لباس هایی که به دمای پایین تری نیاز دارند و سپس آنهایی را که نیاز به دمای بالا نیاز دارند اتو کنید.


مدل	نایلون	ابریشم	پشم	پنبه	کتان
دما	۸۰°C	۱۱۰°C	۱۵۰°C	۱۷۰°C	۱۹۰°C
مواد اولیه	نایلون	ابریشم	پشم، پلی استر، رایون	پنبه	پارچه از جنس کتان

## ۵. کنترل بخار



### توجه

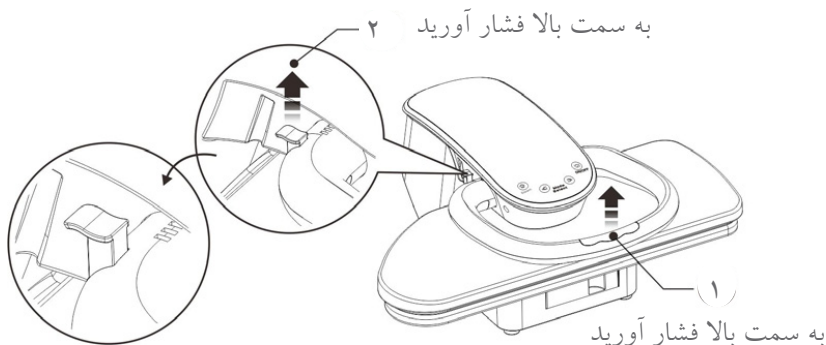
قبل از استفاده کردن از اتو بخار لازم است وجود آب، درون مخزن را کنترل نمود. در صورت خالی بودن مخزن، لطفاً ابتدا مخزن را پر کنید.

• در زمان آغاز به کار با حالت پیش فرض، عملکرد افشان بخار فعال است. بعد از حدود ۶-۷ دقیقه از شروع اگر چراغ (  ) ( بلی ) را نشان داد دستگاه به دمای تولید بخار رسیده است و پیغام صوتی به گوش می رسد که: «بخار آماده است لطفاً عملیات را شروع کنید». بعد از اینکه دسته را به آرامی به پایین فشار دادید، صدایی شبیه تیک خواهید شنید و به معنای افشان بخار است. اگر می خواهید به نتیجه دلخواه افشاندن دست پیدا کنید می توانید این عمل را تکرار کنید.



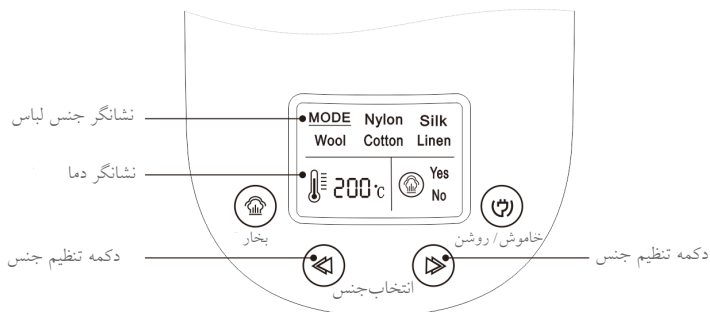
### توجه

به منظور دست یافتن به نتیجهی مناسب، هر بار به مدت ۱-۲ ثانیه عملکرد را متوقف سازید و سپس بخار افشاندن را تکرار نمایید. اگر کارکرد بخار بطور متناوب استفاده



#### ۴. انتخاب دما و کنترل

- زمانیکه نشانگر حالت انتخاب شده بطور مداوم روشن شد، کلید انتخاب حالت را فشار دهید. نشان لباس‌ها را با فهرست منسوجات مقایسه کنید. اگر این دو با هم هماهنگ نمی‌شوند استفاده از دمایی کمتر می‌تواند مورد استفاده قرار گیرد و سپس افزایش یابد تا به نتیجه‌ی مطلوب دست یافت. بعد از چند دقیقه نشانگر حالت انتخاب شده متوقف خواهد شد و به معنی آن است که صفحه اتو به دمایی که شما انتخاب کرده‌اید رسیده‌است. سپس می‌توانید اتو کردن را شروع نمایید.
- زمانیکه دستگاه اولین مقدار حرارت دهی را هدایت می‌کند، نشانگر حالت انتخاب شده روشن خواهد شد. متوقف شدن نشانگر به این معناست که صفحه‌ی اتو به دمایی که شما تنظیم کرده‌اید رسیده و پیغامی به گوش می‌رسد که: «اتو آماده است».



- زمانیکه دمای صفحه‌ی اتو کمتر از دمای تنظیم شده است، دستگاه گرما دهی را دوباره شروع خواهد کرد. در این لحظه نشانگر حالت انتخاب شده روشن خواهد شد و پیغامی به گوش می‌رسد که: «اتو آماده نیست. لطفاً یک لحظه صبر کنید». با متوقف شدن نشانگر می‌توانید اتو کردن را دوباره شروع کنید.
- اگر کاهش دما ضروری است، ابتدا اجازه دهید که اتو کاملاً خنک شود. دمای جدید

- قبل از پر کردن آب، دستگاه را از پریز برق جدا کنید.
- مخزن آب را از پایه بیرون آورید و با استفاده از پیمانه، مخزن را پر کنید. می توانید مخزن را بطور مستقیم برای پر کردن با آب بیرون آورید. برای پر کردن مخزن، معمولاً به ۴۵۰ میلی لیتر آب نیاز است و سپس مخزن را در محل خود قرار دهید. (مخزن باید بطور کامل در پایه قرار گیرد)

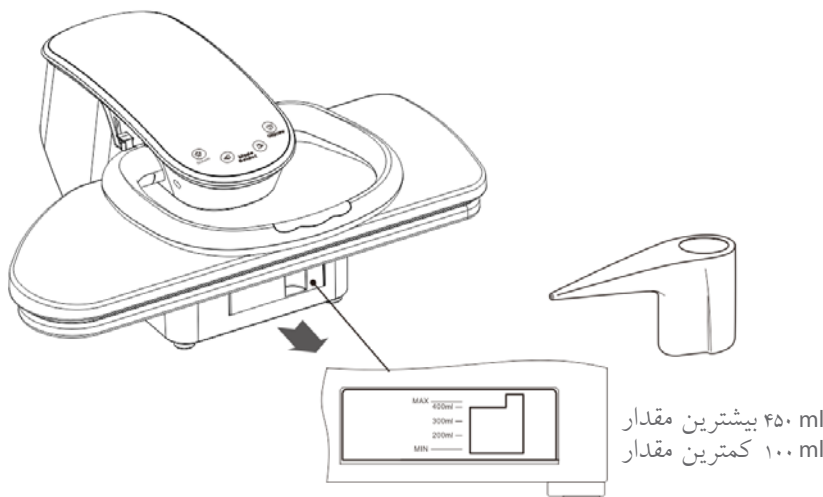


### توجه

در راه ورودی مخزن آب، فیلتری وجود دارد و باید به آرامی آن را پر نمود.

### خالی کردن مخزن آب

اگر فقط مقدار کمی آب در مخزن وجود دارد به بخار دهی به یک حوله‌ی قدیمی یا تکه پارچه‌ای ادامه دهید تا اینکه آب تمام شود. اگر مقدار آب زیادی در مخزن باقی مانده وجود دارد سرپوش را از ظرف افشانه بردارید و مخزن آب را با به آرامی بیرون آورده و با استفاده از یک لوله، آب را در یک ظرف مناسب تخلیه کنید.



### ۳. روشن کردن دستگاه

- دسته‌ی صفحه‌ی اتو را پایین نگه داشته و قفل را باز کنید. سپس دسته را برای جدا کردن قفل بطور کامل، کمی تکان دهید. نباید در این حین دسته را رها نمود بلکه باید با کمی اعمال نیرو، آن را به آرامی بالا آورد و جدا نمود.
- دو شاخه را به پریز برق متصل کنید و کلید روشن و خاموش کردن را فشار دهید. روشن شدن LCD به این معناست که دستگاه به برق متصل شده‌است.

رویه‌ی نرم برای بخش‌های موج مانند آستین، و خطوط پنهان و محل‌های اتصال استفاده می‌شود.

### ۱۲. افشان (اسپری کننده):

این محفظه‌ی شیشه‌ای برای مرطوب کردن قطعات اصلی قبل از اتو کردن (اگر نیاز است) استفاده می‌شود.

### ۱۳. پیمانه‌ی آب:

برای پرکردن آب در داخل مخزن آن استفاده می‌شود.

## نکات مهم:

۱. در حین اتو کشی، دکمه‌ی قفل باید در وضعیت شروع باشد. در زمان بالا یا پایین بودن صفحه‌ی دستگاه، نباید دسته را رها کنید و بهتر است کمی در جهت بالا به آن فشار وارد کنید.

۲. از آنجاییکه اتو دارای «سوئیچ ایمنی خاموش شدن بطور خودکار» است، از یک الگوی الکترونیکی کنترل دما پیروی می‌کند و دمای صفحه‌ی اتو را بطور خودکار و کنترل دما را در محدوده‌ی مورد نیاز تنظیم خواهد کرد.

۳. در زمان اتو کشی و کمتر یا بیشتر بودن دمای صفحه از مقدار تنظیم شده، پیغامی به گوش می‌رسد که: «اتو آماده نیست لطفاً یک لحظه صبر کنید» و نشانگرها روشن خواهند شد.

۴. زمانیکه صفحه‌ی اتو به مدت ۱۵ دقیقه به پایین فشار داده شده است، پیغامی به گوش می‌رسد که: «بیش از این مقدار از دستگاه استفاده نکنید، دستگاه هم‌اکنون خاموش خواهد شد».

۵. زمانیکه دستگاه بیشتر از ۱۵ دقیقه در حالت انتظار است، دستگاه بطور خودکار برای متوقف نمودن حرارت‌دهی خاموش خواهد شد و پیغامی به گوش می‌رسد که: «بیش از این مقدار از دستگاه استفاده نکنید، دستگاه هم‌اکنون خاموش خواهد شد».

## عملکرد دستگاه:

قبل از بکار بردن دستگاه، لطفاً به پیشنهادهای مهم زیر توجه کنید.

### ۱. قبل از اتصال سیم به پریز برق

- ضروری است که ولتاژ نشان داده شده در قسمت زیرین دستگاه با میزان مورد استفاده کنترل شود.

- همیشه دستگاه رادر سطحی ثابت و پایدار قرار دهید.

### ۲. پرکردن با آب

کنید.

## ۲. صفحه نمایش کنترل:

این صفحه، عملکردهای جاری دستگاه را نشان می‌دهد.

## ۳. کلید بخار:

با شرایط از پیش تعیین شده، عملکرد بخاردهی بطور خودکار روشن خواهد شد. وقتی دستگاه روشن است و به بخار نیاز ندارید، لطفاً کلید بخار (NO) را فشار دهید تا (NO) به نمایش درآید.

Steam

## ۴. کلید قفل کردن:

صفحه‌ی فلزی دستگاه را تا حد امکان پایین آورید و قفل را برای قفل کردن صفحه‌ی اتوی دستگاه به اتو به سمت چپ و راست بچرخانید. بلند نمودن قفل باعث باز شدن آن‌ها خواهد شد.



## توجه

برای قفل کردن دستگاه باید صفحه‌ی اتو را به پایین فشار دهید، دسته‌ی صفحه‌ی اتو را پایین نگه دارید و سپس قفل را فشار دهید.

## ۵. دکمه‌ی تنظیم میزان دما:

با استفاده از این دکمه می‌توانید دمای مناسب را برای اتوکردن پارچه‌ی دلخواه تنظیم کنید.

## ۶. جابجایی:

- دستگیره برای بلند کردن و پایین آوردن صفحه‌ی اتو، توسط دست استفاده می‌شود.
- زمانی که دستگیره در پایین‌ترین میزان ممکن قرار دارد، فشار اتو در بیشترین حد خواهد بود.
- در زمان قفل بودن صفحه‌ی فشار و صفحه‌ی اتو، می‌توان دستگاه را با دست جابجا نمود.

## ۷. صفحه‌ی فشار:

سطحی است که روی آن، می‌توان دما را برای گرم کردن و نیز اتو کردن لباس‌ها کنترل نمود.

## ۸. صفحه‌ی اتو:

این صفحه که یک رویه‌ی نرم دارد، برای حمایت از لباس‌ها در حین اتوکردن بکار می‌رود و دارای پارچه‌ای است که می‌توان برای تمیزکاری، آن را جدا نمود.

## ۹. مخزن آب:

این مخزن برای نگهداری آب مورد نیاز برای ایجاد بخار استفاده می‌شود. می‌توان برای پرکردن مجدد، آن را از محل خود بیرون آورد.

## ۱۰. پایه:

پایه برای ثابت کردن محل اتو استفاده می‌شود.

## ۱۱. رویه‌ی نرم:

گذاشته شدن، بطور کامل خنک شود. (حداقل ۳۰ دقیقه)

۶. همواره دستگاه را در زمان عدم استفاده، از پریز برق جدا کنید.

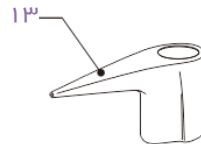
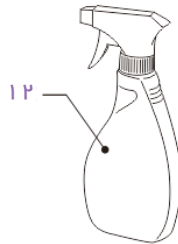
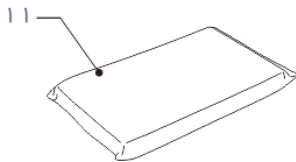
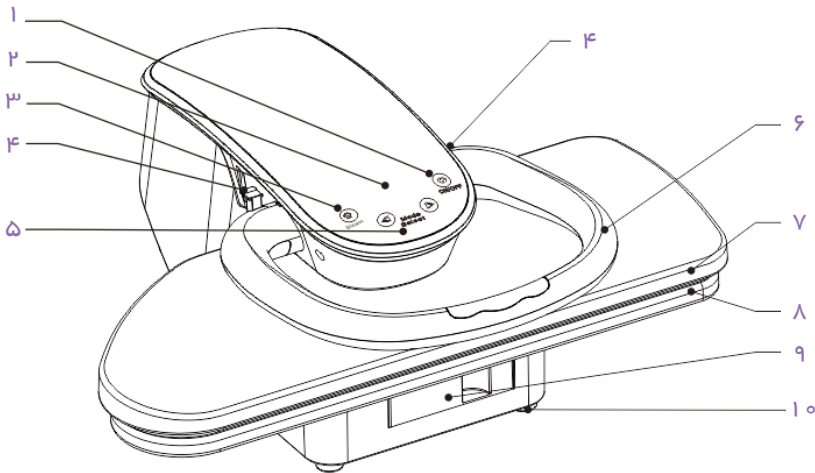
۷. دستگاه را با سیم برق آسیب دیده یا پس از افتادن دستگاه یا آسیب دیدن آن مورد استفاده قرار ندهید. برای اجتناب از خطر برق گرفتگی، دستگاه نباید توسط افراد ناآشنا تفکیک شود. لطفاً برای هر گونه تعمیر و بررسی، آن را به مرکز خدمات پس از فروش شرکت فلر انتقال دهید.

۸. نباید از پریز برق مشترک برای این دستگاه و سایر لوازم برقی پر مصرف استفاده شود.

۹. مراقب باشید؛ ممکن است در اثر تماس با قسمت‌های فلزی، آب یا بخار داغ، دچار سوختگی شوید.

۱۰. برای این دستگاه فقط از آب شیر استفاده کنید. از فرآورده‌های معطر که حاوی الکل هستند استفاده نکنید.

### شناسایی قطعات و روش استفاده



### ۱. کلید روشن و خاموش نرم و لمسی:

برای روشن و خاموش کردن، کلید را در زمان روشن بودن LCD (صفحه نمایش) لمس



لطفاً این دفترچه‌ی راهنما را قبل از استفاده به دقت بخوانید و برای استفاده در آینده نزد خود نگه دارید.

### ویژگی‌های این دستگاه

۱. صرفه جویی در زمان و انرژی: این اتو دستگاهی یک سطح اتو دارد که ۷ برابر بزرگتر از اتوهای دستی است و با فشاری معادل ۱۰۰ پوند مارا به اتو کردن سریع‌تر لباس‌ها قادر می‌سازد.
۲. ظاهری به‌روز: صفحه‌ی کنترل لمسی و نرم، دستورالعمل کارکرد صوتی، صفحه‌ی نمایش با چندین کاربری.
۳. کاربرد وسیع: بخار قوی و دامنه‌ی وسیع تنظیم دما (از ۶۰ تا ۲۰۰ درجه‌ی سانتی‌گراد) اتو کردن انواع پارچه را ممکن ساخته و مانع از براق شدن آنها می‌گردد.
۴. سهولت در جابجایی: امکان اتو کردن در دو حالت نشسته و ایستاده در این دستگاه وجود دارد.
۵. ایمن و قابل اطمینان: حالت کنترل دما با استفاده از میکرو کامپیوتر (ریز رایانه) مانع از آسیب دیدن لباس‌ها بوسیله‌ی گرمای بیش از حد سطح اتو می‌شود.

### راهنمای استفاده از منبع برق

توان: ..... وات  
ولتاژ/فرکانس: ..... ولت ۲۲۰-۲۴۰ و ۵۰/۶۰ هرتز  
توان استفاده شده باید با برچسب دستگاه مطابق باشد.

### نکات ایمنی مهم

- در زمان استفاده از دستگاه، اقدامات ایمنی پیش‌گیرانه به شرح زیر باید رعایت گردند:
۱. از این دستگاه فقط برای مقاصد در نظر گرفته شده استفاده کنید.
  ۲. قبل از اتصال به دوشاخه به پریز برق مطمئن شوید که اطلاعات الکتریکی برچسب زیرین دستگاه با پریز برق مطابق باشد.
  ۳. برای محافظت در برابر خطر برق‌گرفتگی، دستگاه را با آب یا مایع دیگری قرار ندهید.
  ۴. دستگاه باید قبل از اتصال یا جدا شدن از دوشاخه برق خاموش باشد.
  ۵. اجازه ندهید سیم برق در تماس با سطوح داغ باشد. حلقه‌ی سیم برق را بطور نرم و قابل نگهداری در پایه‌ی دستگاه نگهداری کنید و اجازه بدهید دستگاه بعد از کنار

Germany  
**Feller**



SP 70 WD



انوپرسی